

A photograph of an Ammann ARX 16C roller in operation. The machine is yellow and black, with a large black drum on top. An operator wearing a yellow hard hat and orange high-visibility work clothes is seated on the machine, steering it. The machine is on a paved surface, and the background shows a residential area with houses and parked cars. A large teal graphic overlay is on the left side of the image, containing the product name and other text.

ARX 16C

LIGHT TANDEM VIBRATORY ROLLER
Tier 4f

A LIGHTER COMBI ROLLER

The Ammann ARX 16C is a combination roller that utilises both a vibrating drum and pneumatic tyres. The combi version performs well on soil and has a quality sprinkling system in place for asphalt applications. Like other light tandem rollers, the ARX 16C works flush against curbs and other objects and eliminates the need for special edge compaction efforts. Operator benefits include an electronic drive lever for smooth starts and stops and an intuitive instrument panel.

PRODUCTIVITY

Electronic drive lever

Smooth start and stop important, especially on asphalt jobs

Articulated joint with oscillation

Increased surface coverage and quality

Sprinkling system

2-stage filtration system with large water tanks for extended intervals between fillings

ERGONOMICS

Operators platform design

Spacious operator platform

Simple and reliable dashboard

Intuitive machine control, even with an unskilled operator

Visibility

Perfect all-around machine visibility for safety on the jobsite

SERVICEABILITY

Design that enables daily maintenance

Easy and fast daily maintenance

Accessible service and maintenance points

Machine serviced from ground, enabling comfort

Maintenance free parts

Reduced risk of machine damage

APPLICATIONS

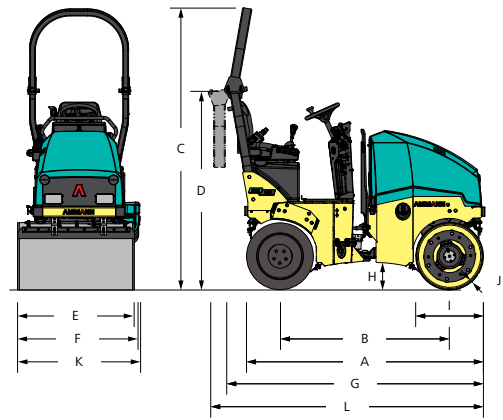
- Small and medium construction sites
- City roads
- Boardwalks
- Repair works in city centre

AMMANN

TECHNICAL SPECIFICATIONS
ARX 16C LIGHT TANDEM VIBRATORY ROLLER

DIMENSIONS

A	MACHINE LENGTH	2020 mm (79.5 in)
B	WHEELBASE	1475 mm (58.1 in)
C	MACHINE HEIGHT	2400 mm (94.5 in)
D	MACHINE HEIGHT (FOLDED ROPS)	1730 mm (68.1 in)
E	DRUM WIDTH	900 mm (35.4 in)
E	TIRE-AXLE WIDTH	890 mm (35 in)
F	MACHINE WIDTH	947 mm (37.3 in)
G	MACHINE LENGTH	2220 mm (87.4 in)
H	GROUND CLEARANCE	230 mm (9.1 in)
I	DRUM DIAMETER	580 mm (22.8 in)
J	DRUM SHELL THICKNESS	13 mm (0.5 in)
K	MACHINE WIDTH (TOTAL)	950 mm (37.4 in)
L	MACHINE LENGTH (FOLDED ROPS)	2330 mm (91.7 in)



MISCELLANEOUS

BATTERY / CAPACITY	12/77 V/Ah
WATER TANK	110 l (29.1 gal)
HYDRAULIC SYSTEM	28.5 l (7.5 gal)
DIESEL FUEL TANK	24 l (6.3 gal)
WHEEL LOAD	283 kg (623.9 lb)
NUMBER OF WHEELS	4
TIRE SIZE	8/60-15

ENGINE

ENGINE TYPE	YANMAR 3TNV80F
EMMISSION CLASS	EU Stage 5 ready / EPA Tier 4f
POWER OUTPUT ISO 3046	14.6 kW /20 HP
CYLINDER / LTR.	3 cyl / 1267 No./ccm
1. / 2. WORKING SPEED	2.100 / 2.400 rpm
TRAVEL SPEED KM/H	8.5 km/h (5.3 MPH)
GRADEABILITY WITH / WITHOUT VIBR.	30 % / 40 %

STANDARD

- Front and rear vibration and drive
- Control system with emergency stop
- Pressurised pulse interval sprinkler system
- Ammann Vibration Control
- Central lifting hook
- 2 working frequencies
- Hydraulic test ports

COMPACTION FORCES

AMPLITUDE	0.5 mm (0.02 in)
FREQUENCY AT 2100 / 2400 RPM	58/66 Hz (3480/3960 VPM)
CENTRIFUGAL FORCE – MAX.	23 kN (5170.6 lbf)

WEIGHT & OPERATING CHARACTERISTICS

OPERATING WEIGHT CECE	1450 kg (3200 lb)
OPERATING WEIGHT MAX.	1700 kg (3750 lb)
STATIC LINEAR LOAD (FULL-FLUSH)	7.9 kg/cm (17.4 lb)
TURNING RADIUS INSIDE	2100 mm (82.7 in)
STEERING / OSCILLATING ANGLE	30/6 ±°
DRUM OFFSET	–



OPTIONAL EQUIPMENT

- CE-Kit with folding ROPS and working lights
- Road lighting
- Canopy
- Asphalt thermometer
- Reverse alarm
- Battery disconnection switch
- Additional working lights (ROPS mounted)
- Rear tyred axle
- Arm rests
- Second drive-lever, left
- Edge-cutter incl. multi-function lever
- Bio-degradable hydraulic oil
- Drums in line
- Customer colour
- Warning beacon
- Weather canopy

For additional product information and services please visit:
www.ammann.com

Specifications are subject to change.
MSS-1475-01-EN | © Ammann Group

