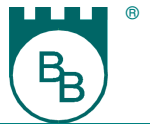


Cable Pulling Winches 25 – 30 kN Type W 2500 / W 3000 Pulljack



The winches of this series are ideal for all kind of cable laying projects, seasonal contracts in telecommunication applications and electricity supply cable network maintenance where reliability, mobility and low space requirements are essential.



A pulling force limit-switch stops line pull as soon as the preselected pulling force is reached. During pull the current force will be indicated on a gauge.

Tractions in angles up to 90° (e.g. in manholes) can be enabled by a deflection boom. It will be connected to the swivel pulley at the rear of the winch.

The winch is totally closed completely during operation; only the panel has to be lifted up.

The complete power pack including operation panel is frame mounted and fully enclosed by a lockable soundproofed steel sheet casing with an overall length, including tow-bar, of just 2700 mm.

Specifications are subject to change without notice. Output details are depending on use conditions.

Cable Pulling Winches 25 – 30 kN

Type W 2500 / W 3000 Pulljack



Standard design:

W 2500 (for Europe only)

- Single-axle chassis with overrunning and automatic reversing brake system, straight tow-bar with ball type coupling, 12 V lighting system and TÜV-approval
- Lockable, soundproofed sheet metal hood
- measuring clockwork with adjustable pull limiting switch
- Operating hour counter
- Petrol engine with hydrostatic gear system
- Twin capstan system with rope storage drum and 500 m rope
- lifting hook
- Painting: traffic red RAL 3020

Extras: (on request)

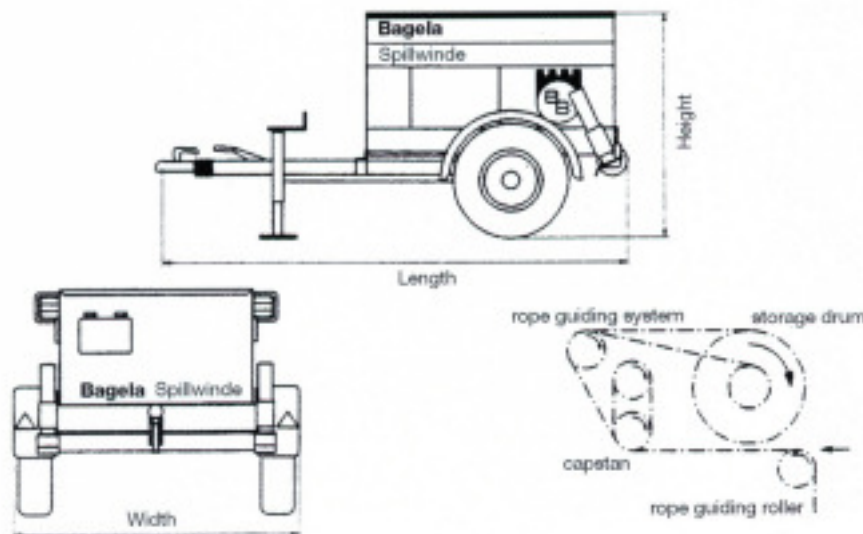
- other types of engines, painting or rope lengths
- Telescopic deflection boom

W 3000

- Single-axle chassis with hand brake, straight tow bar with ball coupling, no lightning system and no TÜV
- lockable soundproofed sheet metal hood
- measuring clockwork with adjustable pull limiting switch
- Operating hour counter
- Petrol engine with hydrostatic gear system
- Twin capstan system with rope storage drum and 500 m rope
- lifting hook
- Painting: traffic red RAL 3020

Dimensions and weights may differ if extras are fitted.

Technical Data:



-o single-straight

-o single-height-adj.

-oo tandem-straight

-oo tandem-height-adj.

Type	Max. pulling		Drive engine			Rope-		Chassis		Length	Width	Height	Weight	Order No.
	force	speed	kW	fuel	cyl.	dia.	length	type	brake					
W 2500	25 kN	40 m/min	12	petrol	2	10 mm	500 m	-o 1,3	over- running	2700 mm	1600 mm	1300 mm	1100 kg	001.701.20
W 3000	30 kN	40 m/min	12	petrol	2	10 mm	500 m	-o 1,3	without brake	2700 mm	1600 mm	1300 mm	1100 kg	001.701.21

Specifications are subject to change without notice. Output details are depending on use conditions.