

Electric powered forklift 6.0 - 8.0 ton

TRAIKO⁸⁰



Electric powered forklift 6.0 - 8.0 ton

Truck specifications					9FBM60T	9FBM70T	9FBM80T	9FBH80T
Identification	1.1	Manufacturer			Toyota	Toyota	Toyota	Toyota
	1.2	Model			9FBM60T	9FBM70T	9FBM80T	9FBH80T
	1.3	Drive			Electric	Electric	Electric	Electric
	1.4	Operator type			Driver seated	Driver seated	Driver seated	Driver seated
	1.5	Load capacity/rated load	Q	kg	6000	7000	8000	8000
	1.6	Load centre	c	mm	600	600	600	900
	1.8	Load distance, centre of drive axle to fork	x	mm	700	710	715	750
	1.9	Wheelbase	y	mm	2300	2300	2300	2300
Weight	2.1	Service weight		kg	12765	13476	14461	15918
	2.2	Axle load, with load, front/rear		kg	16425 / 2340	18481 / 1995	20196 / 2265	21565 / 2553
	2.3	Axle load, without load, front/rear		kg	7034 / 5731	7494 / 5892	7622 / 6839	7826 / 8092
Tyres	3.1	Tyres - pneumatic (P), pneumatic shaped cushion (SE), solid rubber (R)			SE	SE	SE	SE
	3.2	Tyre size, front			355/50-20	8.25-15	300-15	300-15
	3.3	Tyre size, rear			8.25-15	8.25-15	300-15	300-15
	3.5	Wheels, number front/rear (x = driven)			2x/2	4x/2	4x/2	4x/2
	3.6	Track width, front	b ₁₀	mm	1328	1510	1575	1575
	3.7	Track width, rear	b ₁₁	mm	1406	1406	1394	1394
	Dimensions	4.1	Tilt of mast/fork carriage forward/backward	α/β	deg	5/8	5/8	5/8
4.2		Height, mast lowered	h ₁	mm	2620	2720	2620	2670
4.3		Free lift	h ₂	mm	100	100	100	100
4.4		Lift	h ₃	mm	3300	3300	3300	3300
		Lift height	h ₂₃	mm	3360	3360	3360	3360
4.5		Height, mast extended	h ₄	mm	4237	4337	4255	4480
4.7		Height of overhead guard (cab)	h ₆	mm	2835	2835	2835	2835
4.8		Seat height	h ₇	mm	1710	1710	1710	1710
4.12		Coupling height	h ₁₀	mm	785	785	785	785
4.19		Overall length	l ₁	mm	4680	4690	4695	5450
4.20		Length to face of forks	l ₂	mm	3480	3490	3495	3650
4.21		Overall width	b ₁	mm	1660	2004	2141	2141
4.22		Fork dimensions	s/e/l	mm	60x200x1200	60x200x1200	60x200x1200	70x200x1800
4.23		Fork carriage DIN 15 173, class/type A, B			IVA	IVA	IVA	IVA
4.24		Fork carriage width	b ₃	mm	1600	1700	1700	1700
4.31		Ground clearance, with load, below mast	m ₁	mm	220	220	220	220
4.32		Ground clearance, centre of wheelbase	m ₂	mm	210	210	210	210
4.33		Aisle width for pallets 1000x1200 crossways	A _{st}	mm	4705	4715	4720	4861
4.34		Aisle width for pallets 800x1200 lengthways	A _{st}	mm	4905	4915	4920	5061
4.35		Turning radius	W _a	mm	3005	3005	3005	3111
4.36	Internal turning radius	b ₁₃	mm	753	753	753	753	
Performance	5.1	Travel speed, with/without load		km/h	18/20	18/20	17/19	16/18
	5.2	Lift speed, with/without load		m/s	0,38/0,48	0,36/0,48	0,32/0,42	0,32/0,42
	5.3	Lowering speed, with/without load		m/s	0,55/0,45	0,55/0,45	0,55/0,45	0,55/0,45
	5.5	Drawbar pull, with/without load	N		16573/17749	16237/17558	15848/17418	15562/17132
	5.6	Max. drawbar pull, with/without load	N		44600 / 44600	44600 / 44600	44600 / 44600	44600 / 44600
	5.7	Gradeability, with/without load	%		7/11	6,3/10,6	5,6/9,7	5,2/8,7
	5.8	Max. gradeability, with/without load	%		19/29	18/27	16/25	16/23
	5.9	Acceleration time, with/without load	s		5,1/4,7	5,8/5,1	5,8/5,1	6,0/5,2
	5.10	Service brake			Hydraulic	Hydraulic	Hydraulic	Hydraulic
	Electric motor	6.1	Drive motor rating S2 60 min		kW	2x 21,2	2x 21,2	2x 21,2
6.2		Lift motor rating S3 15%		kW	32	32	32	32
6.3		Battery acc. to DIN 43 531/35/36 A, B, C, no			DIN 43536 A	DIN 43536 A	DIN 43536 A	DIN 43536 A
6.4		Battery voltage, nominal capacity K ₅		V/Ah	80/1120 (-1240)	80/1120 (-1240)	80/1120 (-1240)	80/1120 (-1240)
6.5		Battery weight		kg	2785	2785	2785	2785
6.6		Energy consumption to VDI45 cycle			12,3	13,4	14,8	15,8
Others	8.1	Type of drive control			AC	AC	AC	AC
	8.2	Operating pressure for attachments		bar	250	250	250	250
	8.3	Oil volume for attachments		l/min	80	80	80	80
	8.4	Sound level at the driver's ear according to EN 12 053		dB(A)	65,8	65,8	65,8	65,8

All data are based on table configuration. Other configurations may give other values.

Truck performance and dimensions are nominal and subject to tolerances.

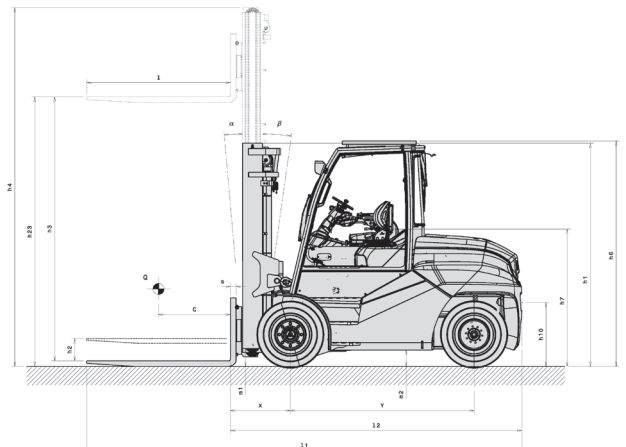
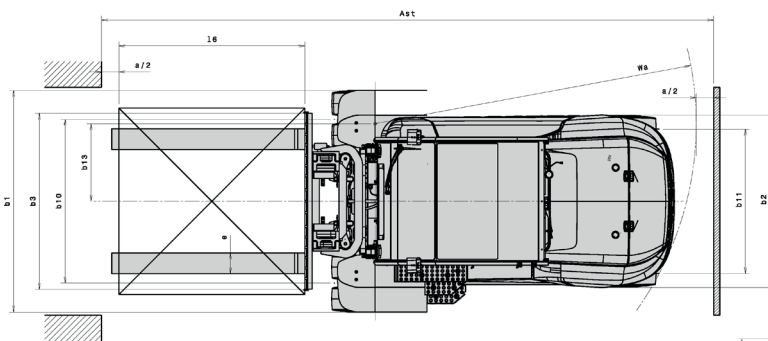
Products and specifications are subject to change without notice.

Mast dimensions and rated capacities

Model			V							FV			FSV						
9FBM60T	Lift height	h_{23}	3360	3760	4060	4560	5060	5560	6060	3360	3760	4060	4360	4760	5060	5560	6060	6560	7060
	Lift	h_3	3300	3700	4000	4500	5000	5500	6000	3300	3700	4000	4300	4700	5000	5500	6000	6500	7000
	Height, mast lowered	h_1	2620	2820	3020	3270	3520	3770	4020	2620	2820	3020	2620	2720	2820	3020	3220	3420	3620
	Height, mast extended	h_4	4252	4652	4970	5470	5970	6470	6970	4280	4680	4980	5280	5680	5980	6480	6980	7480	7980
	Free lift	h_2	100	100	100	100	100	100	100	1705	1905	2055	1655	1755	1855	2055	2255	2455	2655
9FBM70T	Lift height	h_{23}	3360	3760	4060	4560	5060	5560	6060	3360	3760	4060	4360	4760	5060	5560	6060	6560	7060
	Lift	h_3	3300	3700	4000	4500	5000	5500	6000	3300	3700	4000	4300	4700	5000	5500	6000	6500	7000
	Height, mast lowered	h_1	2720	2920	3120	3370	3620	3870	4120	2720	2920	3120	2620	2720	2820	3020	3220	3420	3620
	Height, mast extended	h_4	4352	4752	5070	5570	6070	6570	7070	4280	4680	4980	5280	5680	5980	6480	6980	7480	7980
	Free lift	h_2	100	100	100	100	100	100	100	1740	1940	2140	1655	1755	1855	2055	2255	2455	2655
9FBM80T	Lift height	h_{23}	3360	3760	4060	4560	5060	5560	6060	3360	3760	4060	4360	4760	5060	5560	6060	6560	7060
	Lift	h_3	3300	3700	4000	4500	5000	5500	6000	3300	3700	4000	4300	4700	5000	5500	6000	6500	7000
	Height, mast lowered	h_1	2620	2920	3120	3370	3620	3870	4120	2670	2920	3120	2690	2820	2920	3090	3260	3430	3620
	Height, mast extended	h_4	4255	4720	5070	5570	6070	6570	7070	4334	4734	5034	5353	5753	6053	6553	7053	7553	8053
	Free lift	h_2	100	100	100	100	100	100	100	1705	1955	2155	1710	1840	1940	2110	2280	2450	2640
9FBH80T	Lift height	h_{23}	3360	3760	4060	4560	5060	5560	6060	3360	3760	4060	4360	4760	5060	5560	6060	6560	7060
	Lift	h_3	3300	3700	4000	4500	5000	5500	6000	3300	3700	4000	4300	4700	5000	5500	6000	6500	7000
	Height, mast lowered	h_1	2820	3120	3320	3570	3820	4070	4320	2770	3020	3220	2820	2950	3050	3220	3390	3550	3720
	Height, mast extended	h_4	4480	4920	5270	5770	6270	6770	7270	4334	4734	5034	5575	5975	6275	6775	7275	7775	8275
	Free lift	h_2	100	100	100	100	100	100	100	1745	1995	2195	1545	1675	1775	1945	2115	2275	2445

Single tyre			V							FV			FSV						
9FBM60T	Tilt range, forward	deg	5	5	5	5	5	5	5	5	5	5	5	5	5	5	5	5	5
	Tilt range, Backward	deg	8	8	8	8	8	8	8	8	8	8	8	8	8	8	8	8	8
	Load capacity at 600 mm LC	kg	6000	6000	6000	6000	6000	6000	6000	6000	6000	6000	6000	6000	6000	6000	6000	6000	6000

Dual tyre			V							FV			FSV						
9FBM70T	Tilt range, forward	deg	5	5	5	5	5	5	5	5	5	5	5	5	5	5	5	5	5
	Tilt range, backward	deg	8	8	8	8	8	8	8	8	8	8	8	8	8	8	8	8	8
	Load capacity at 600 mm LC	kg	7000	7000	7000	7000	7000	7000	7000	7000	7000	7000	7000	7000	7000	7000	7000	7000	7000
9FBM80T	Tilt range, forward	deg	5	5	5	5	5	5	5	5	5	5	5	5	5	5	5	5	5
	Tilt range, backward	deg	8	8	8	8	8	8	8	8	8	8	8	8	8	8	8	8	8
	Load capacity at 600 mm LC	kg	8000	8000	8000	8000	8000	8000	7700	8000	8000	8000	8000	8000	8000	8000	7700	7500	7500
9FBH80T	Tilt range, forward	deg	5	5	5	5	5	5	5	5	5	5	5	5	5	5	5	5	5
	Tilt range, backward	deg	8	8	8	8	8	8	8	8	8	8	8	8	8	8	8	8	8
	Load capacity at 900 mm LC	kg	8000	8000	8000	8000	7700	7700	7500	8000	8000	8000	8000	8000	8000	8000	7700	7300	7300



Standard equipments:

- Toyota SAS (System of Active Stability)
- Toyota AC² power train
- Toyota OPS (Operator Presence Sensing), Toyota ORS seat (Operator Restraint System)
- Seat mounted hydraulic minilevers
- Wide visible mast [V3300 mm], Load backrest [height: 1220 mm]
- Long forks [length: 1200 mm (9FBM60-80T), 1800 mm (9FBH80T)]
- Automatic parking brake, Wet disc brakes, Wide brake pedal
- 4-way valve
- Electric power steering (EPS)
- Digital multifunction display with wheel indicator
- Telescopic & tiltable steering column
- Pneumatic shaped cushion tyres [single (9FBM60T); dual (9FBM70-80T, 9FBH80T)]
- Floating driver compartment
- Shockless landing lift
- Drive unit protector, Overhead guard protector
- Double assist grip

