

ICE Series Systems

Polyamide injection systems



Perfect insulation for your electrical components

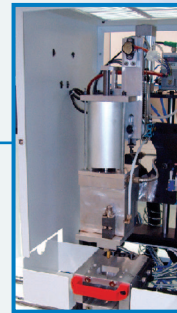
The MELTON ICE series offers the highest technological level, a complete system designed to insulate your electrical connectors and integrate perfectly into your production line.

Melton ICE series injection systems:

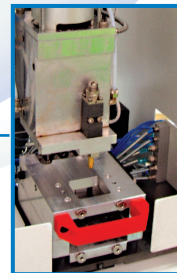
- User-friendly operation
- Enables increase in production
- Helps maintain process

PLC based control technology system

Automatic control of all working parameters



Dosing gun with pressure and volume control



Low pressure operation



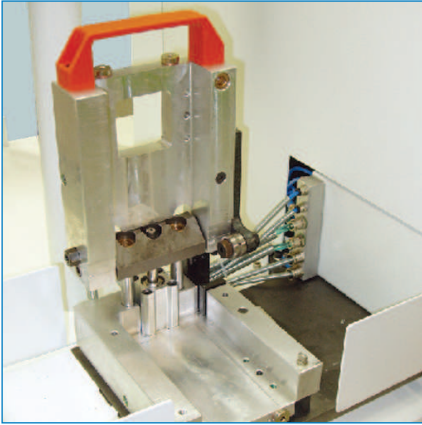
Sliding table for moulds enables swift production



Polyamide special unit with cold hopper design



ICE Series Systems



Completely guaranteed moulds



Built-in refrigeration system

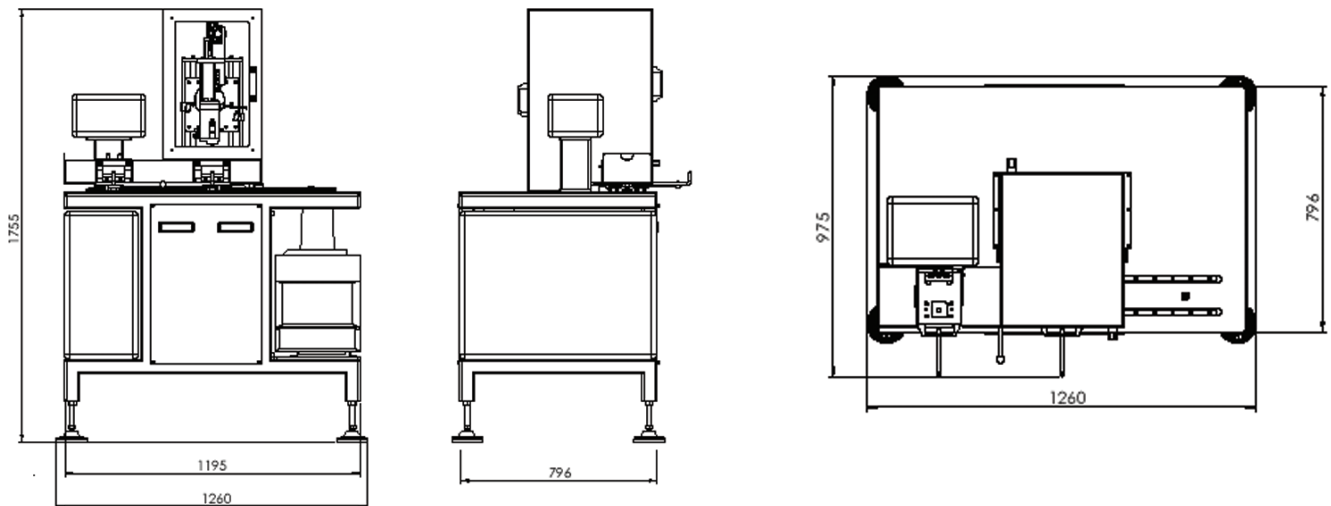


Touch-Screen panel for operation

Technical Characteristics

Characteristics	ICE series systems		
System:	ICE201-30	ICE201-90	ICE201-L
Mould size:	Small	Large	Small
Maximum injection volume:	37 c.c	95 c.c.	45 c.c.
Working temperature:	30 – 240 °C		
Working hydraulic pressure (bar):	1 to 35 bar	1 to 35 bar	5 to 60 bar

Dimensions



MELTON S.L.U. • Pol. Ind. Agustinos, calle G, N° 34 • 31160 Orcoyen • NAVARRA • ESPAÑA
 Tel.: +34 948 321 580 • Fax: +34 948 326 584 • e-mail: melton@melton.es • www.meltonhotmelt.com

