

Profijet

Patented 180° pivoting high pressure hose reel



High pressure skid
mounted jetting units

- Ergonomic working height
- Swinging control box
- New concept water tanks
- Compact build
- New styling
- Option noise level reduction





ProfJet

The Rioned ProfJet is the latest skid mounted jetting machine suitable for professional use in drains and sewers up to 600 mm. This powerful machine is designed and built to the highest modern technologies and fits mediumweight and heavyweight vans and pick-ups.

The patented 180° pivoting high pressure hose reel ensures an optimal and ergonomic ease of operation. The hose reel complete with control box swings out at 180° direction, with perfect working height.



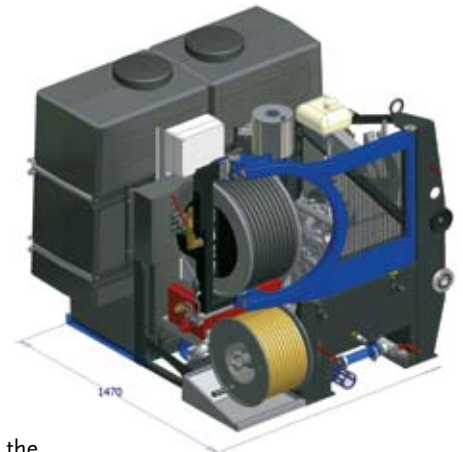
The ProfJet can carry more water without compromising on space, due to the new design of 2 separate Rioned Compact System® water tanks, making the handling of the vehicle much smoother.

Using a new exhaust and water cooling system removes heat and fumes and results in much lower noise levels, a noise level reduction set is available as an extra option.

The ProfJet is developed to minimise the pressure loss due to the construction and use of other materials resulting in a stable and lighter machine.

The design, ease of operation, high quality components and ample space when built in are the special characteristics of the machine.

The ProfJet is available in various pressure and flow, with extra options e.g. Riomote® radio remote control, Riopulse® pulsator system (remote controlled), 4 Rioned Compact System® water tanks (1600 litres / 355 gallons total), quick filling and suction ventury systems, high pressure hose reel controlled by radio remote control and automatic hose guidance system.



Option: Riomote®

Technical details

Water tank	2 x 400 litres / 2 x 88 gallons – Rioned Compact System®
Drive	Kubota water cooled diesel engine / PTO
Pump	Rioned / Speck high pressure pump P45 or P52 with water filter and pressure regulator
Capacity	150 bar / 100 lpm – 160 bar / 85 lpm – 160 bar / 120 lpm – 200 bar / 72 lpm 200 bar / 100 lpm – 250 bar / 60 lpm – 270 bar / 54 lpm – 310 bar / 37 lpm 2250 psi / 22 gpm – 2400 psi / 19 gpm – 2400 psi / 27 gpm – 3000 psi / 16 gpm 3000 psi / 22 gpm – 3750 psi / 13 gpm – 4050 psi / 12 gpm – 4650 psi / 8 gpm
Outfit	180° pivoting patented high pressure hose reel with hydraulic drive and 80 m high pressure hose NW 13 or NW 16 and collapsible hose guidance, fixed supply hose reel with 50 m supply hose NW 19. Control box with ignition key and control lights, 2 jet nozzles – open and blind, 1 jetting gun with 850 mm lance and flat spray nozzle.
Weight	As from 590 kgs
Dimensions	1.460 x 1.440 x 1.440 mm

Rioned

Rior B.V./Rioned
Postbus 5070
5004 EB Tilburg
Centaurusweg 45
5015 TC Tilburg
Nederland

Tel. +31 (0)13 547 91 00
Fax +31 (0)13 547 91 04

info@rioned.com
www.rioned.com

Rioned UK Limited
23 James Carter Road
Mildenhall, Suffolk, IP28 7DE
United Kingdom

Tel. +44 (0)1638 713 800
Fax +44 (0)1638 716 863

sales@rioned.co.uk
www.rioned.co.uk