



snow plough **VERTUS**



variable V-plough





variable
V-plough

Purpose

VERTUS snow ploughs are used for snow clearing on roads, parking lots and other surfaces, especially in cities where in narrow streets where variable geometry shows its full benefits.

Technical description

Snow plough is controlled by an electronic control panel from the vehicle cabin. Snow plough consists of two sections with four independent swivel scraper strips, two per section. Snow clearing is possible in several clearing positions:

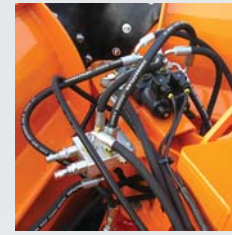
- Snow clearing as a standard (diagonal) snow plough to the left or right side ($\pm 40^\circ$);
- Snow clearing in „A“ position for notches or first pass in the deep snow;
- Snow clearing in „V“ position for parking lots, crossroads or whenever it is necessary to prevent lateral disposal of snow. Disposal of snow at a desired location is assured by swiveling one of the blades backwards;

The snow plough and the tractor are protected by multiple safety elements while crossing obstacles. When used properly, the safety elements prevent damage to the snow plough, the vehicle and most importantly ensure the safety of the operator. VERTUS snow ploughs are available in several dimensions, depending on desired clearance width. Standard dimensions are shown in the table.

The control system is selected based on the existing hydraulic system of the vehicle. Following three types of control systems are available:

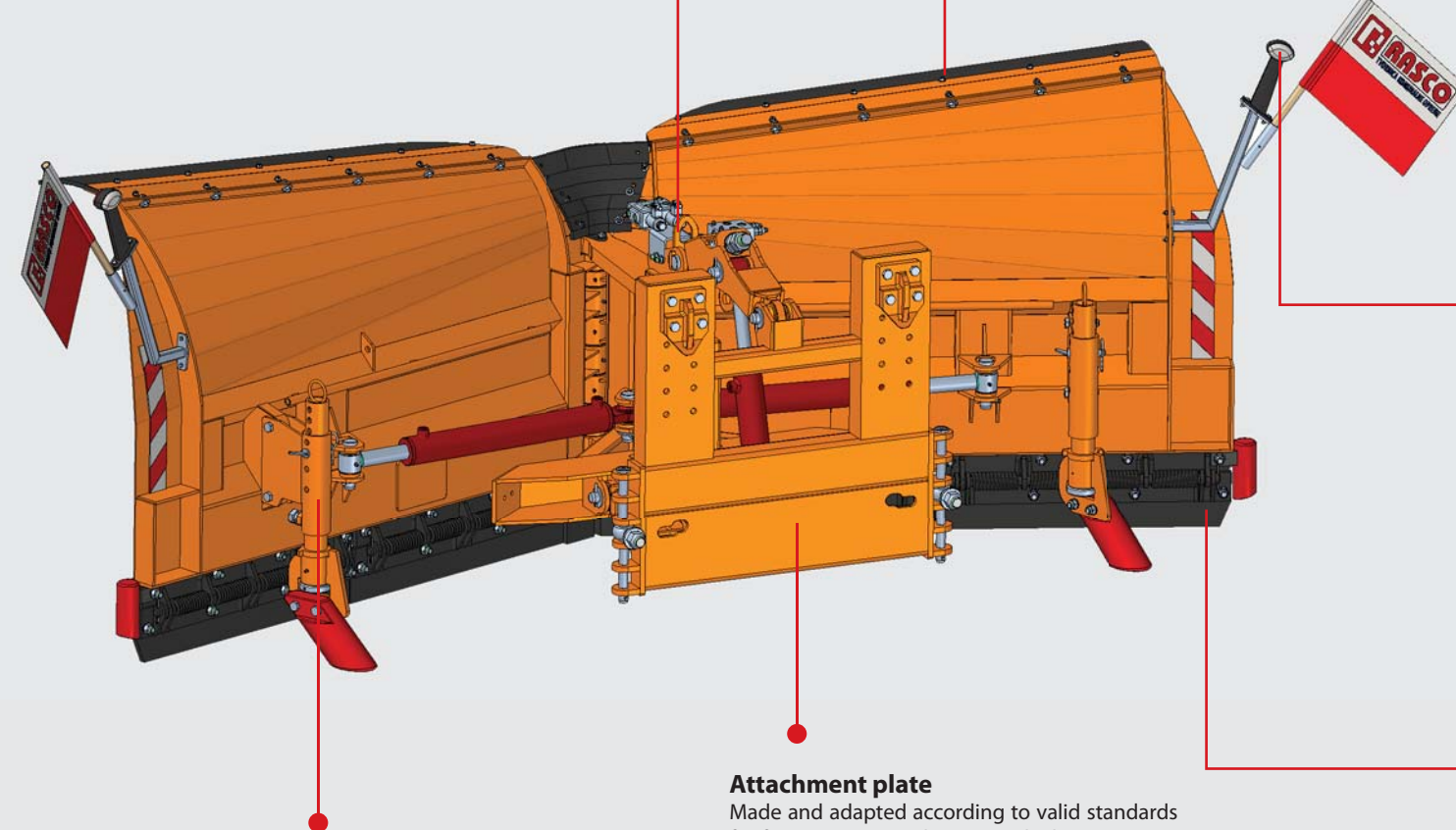
- **BASIC** control - for vehicles with four pairs of hydraulic connectors and separate return line in accordance with EN 15431 (one pair of connectors must have floating position)
- **SYNCRO** control - enables connection between the snow plough and the vehicle's two circuit hydraulic system with three pairs of hydraulic connectors and separate return line in accordance with EN 15431 (one pair of connectors must have floating position)
- **RASCOMATIC** control - enables connection between the snow plough and the vehicle's two circuit hydraulic system with two pairs of hydraulic connectors and separate return line in accordance with EN 15431 (one pair of connectors must have floating position)

All three systems allow simultaneous and synchronized movement of both plough sections i.e. VERTUS is operated as a standard diagonal snow plough.



Control system

Three types of control system for simple and comfortable snow plough operation on various vehicles.



Support element (slide pad)

Used to support the weight of the snow plough and to prevent cutting into soft surfaces during snow clearing.

Attachment plate

Made and adapted according to valid standards for front mounting plates on vehicles (EN 15431 tip F1(/C), DIN 76060 type "A" i.e. "B", ÖNorm S2044).

Attachment plate has height adjustable claws for proper attachment system levers angle adjustment.

| type | weight * [kg] | A [mm] | B [mm] | C [mm] |
|------------|---------------|--------|--------|--------|
| VERTUS 3.0 | ÷ 800 | 3000 | 2300 | 1050 |
| VERTUS 3.2 | ÷ 840 | 3200 | 2450 | 1050 |
| VERTUS 3.4 | ÷ 870 | 3400 | 2600 | 1200 |
| VERTUS 3.6 | ÷ 900 | 3600 | 2760 | 1200 |

* snow plough weight depends on desired options

Snow deflector (rubber apron)

Option. Protects the vehicle's windshield from snow spraying during snow clearing operation.



Outline lights

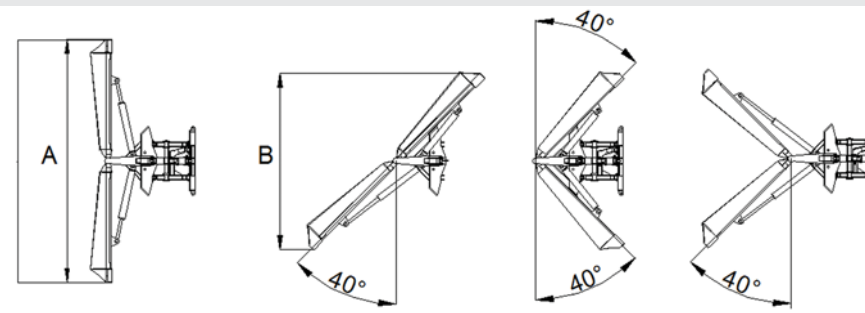
Standard. Additional reflective markings and turn signals available on request.



Swivel scraper strips

Safety element which assures easier passing over obstacles and noise reduction.

Various types available (wear resistant steel, polyurethane etc.)



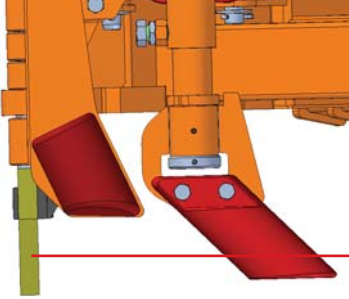
snow plough

VERTUS

Additional equipment

Polyurethane scraper strips

Used for sensitive surfaces such as town squares, airport runways and similar.



Clearing positions

Diagonal snow plough

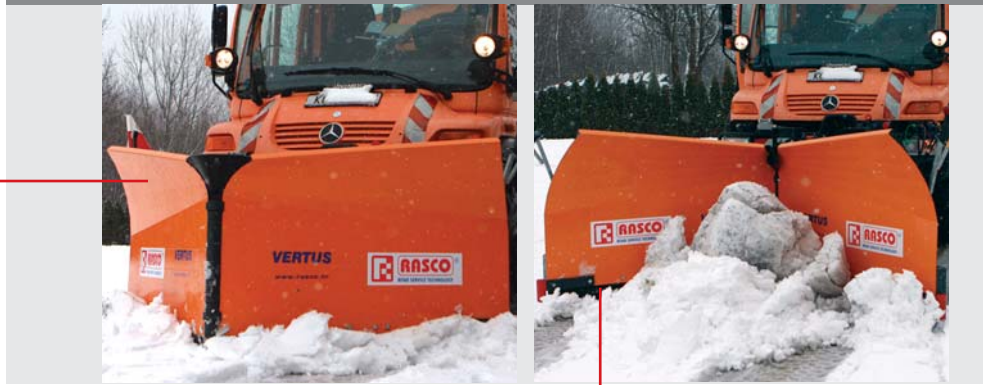
Snow clearing as a standard (diagonal) snow plough to the left or right side ($\pm 40^\circ$).

Position "A"

Snow clearing in „A“ position for notches or first pass in the deep snow.

Position "V"

Snow clearing in „V“ position for parking lots, crossroads or whenever is necessary to prevent lateral disposal of snow. Disposal of snow at a desired location is assured by swiveling one of the blades backwards.



Mounting

VERTUS snow ploughs can be mounted on trucks, UNIMOG type multipurpose vehicles and other vehicles that have the necessary engine power and a front mounting plate according EN 15432 F1 or DIN 76060 type B standard. Necessary engine power rating is from 74 to 295 kW (from 100 to 400 HP), depending on the size of the snow plough.

It is recommended that the snow plough is mounted on the vehicle by the manufacturer or by an authorized workshop according to manufacturer's instructions.

- Kolodvorska 120 b, HR-48361 Kalinovac
- tel: +385 (48) 883 112; fax: +385 (48) 280 146
- e-mail: rasco@rasco.hr
- www.rasco.hr



Dealer

