

Features:

- Low Ground Pressure When Fully Loaded
- More Economical To Run Versus Reach Stackers
- Easy to Service
- Reduced Energy Consumption
- Lighter Weight Versus Reach Stackers
- Narrow Aisles For Maximum Storage
- Rough Terrain & Ramp Friendly
- Works On Compacted Stone, Bitumen And Light Concrete
- Exceptional 3-Wheel Manoeuvrability Circle
- No Brake Maintenance
- Improves Productivity



▲ Ergonomically designed /driver friendly cab



▲ Large Tyres for Low Ground Pressure



▲ Option: Front Opening cab

COMBI-SC SPECIFICATIONS

Patent Pending- International Application No. PCT/EP2010/051971



REF	DESCRIPTION	Metric		Imperial	
		SC3	SC3T	SC3	SC3T
1	Overall Length	8570mm		338"	
2	Overall Width *	4920mm		194"	
3	Overall Height *	5165mm	4925mm - 6725mm	203"	194"-265"
4	Ground Clearance Under Cab	275mm		11"	
5	Height Over Cab	2300mm		91"	
6	Track Front	3750mm		148"	
7	Wheelbase	5775mm		227"	
8	Width Load Area	3000mm		118"	
9	Height Load Area *	4600mm	4360mm - 6160mm	181"	172" - 243"
10	Minimum Outside Radius	7250 mm		285"	
11	Overhang Front	1400 mm		55"	
12	Overhang Back	1400 mm		55"	
13	Lift Stroke *	2200mm		87"	
A	Capacity	35,000kg		77,000lbs	
B	Unladen Weight	16,950 kg	19,200 kg	37,370 lbs.	42,300 lbs.
C	Gradeability	5% Fully Loaded			
D	Maximum Ground Speed	10 km/h		6 mph	
E	John Deere 4045 Diesel	93kW		125 hp	
F	Electric's	12 Volt			
G	Tyres	4 x Super Elastic Puncture Proof Tyres			
H	Standard Colour	Yellow & Grey			
I	Suspension Seat	KAB Model 116			

- 2-Wheel Hydrostatic Drive
- 2-Wheel Steer

- Capable Of Travelling Fully Loaded
- Front And Rear Independent Sideshift

COMBILIFT HQ:

Co. Monaghan, Ireland
Tel: + 353 47 80500
Fax: + 353 47 80501

COMBILIFT USA:

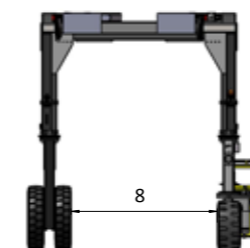
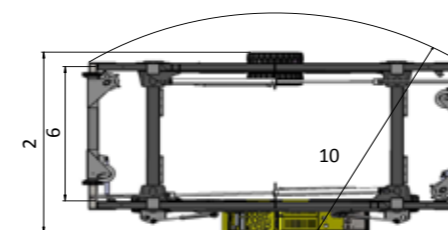
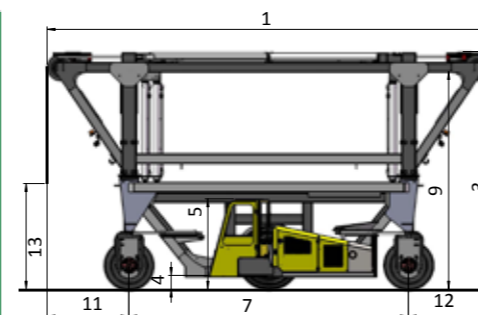
303 Concord Street,
Greensboro, NC 27406
Tel: 1877 266 2456

COMBILIFT UK
07870 976 758

COMBILIFT AUSTRALIA
1300 552 422

COMBILIFT GERMANY
0800 000 5764

Distributed by:



COMBILIFT

CUSTOMISED HANDLING SOLUTIONS

COMBILIFT STRADDLE CARRIER



The Cost Effective Solution For Handling Containers And Oversized Loads



Lifting Capacity:
20,000 kg - 80,000 kg
44,000 lbs. -180,000 lbs.

Options:

- Can Be Customised To Handle Non-Iso Containers
- Customised Attachments Available
- Stack 2 High / 3 High
- Automatic Container Spreader

- Air Conditioning
- Weighing System
- 2 Speed Drive
- 3 Wheel Drive

Container Tipping Option ▶



◀ Same Unit can lift 20', 30', 40', 45' Containers



▲ Engineered for ease of transport by trailer or container

Travels In/Out Of Warehouse with Ease



Trailer to Ground



- 2 Minute Off-Loading From Trailer To Ground
- Excellent 360° Visibility From Driver Position

- Eliminates Trailers Waiting To Be Loaded And Unloaded
- Safer Stuffing / Destuffing At Ground Level

Telescopic Function



The retracted telescopic frame allows entry under low doorways, while the extended telescopic frame allows double stacking.

Automatic Top-Lift Spreader (Option)



- Top-Lift spreader is used to grip and pick up the container by means of four twist locks
- Can be adjusted to handle 20ft and 40ft containers

- Controlled from within the cab
- Quicker operation
- Enables throughput of 20 containers an hour

Oversized Loads



Can be customised to handle any oversized load

Load Bearing Platform

