



rear mower **NEVA**



medium reach
mower





medium reach
mower

Application

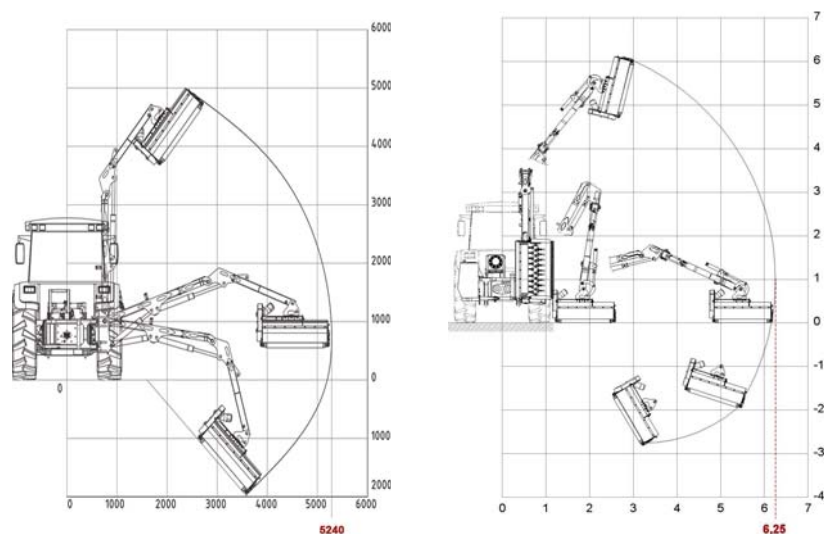
NEVA rear mower is designed to cut grass, weeds, shrubbery and similar vegetation along roadway curbstones, and water canals. NEVA is a quickly changeable mowing attachment for multi-purpose tractors used in agriculture, summer and winter road maintenance.

Technical description

Rear mower's hydraulic crane come together with a separate hydraulic unit on the mounting frame. It uses its own two-circuit hydraulic unit with a separate oil tank for its work. One hydraulic circuit is used to manage the movements of the crane while the other one

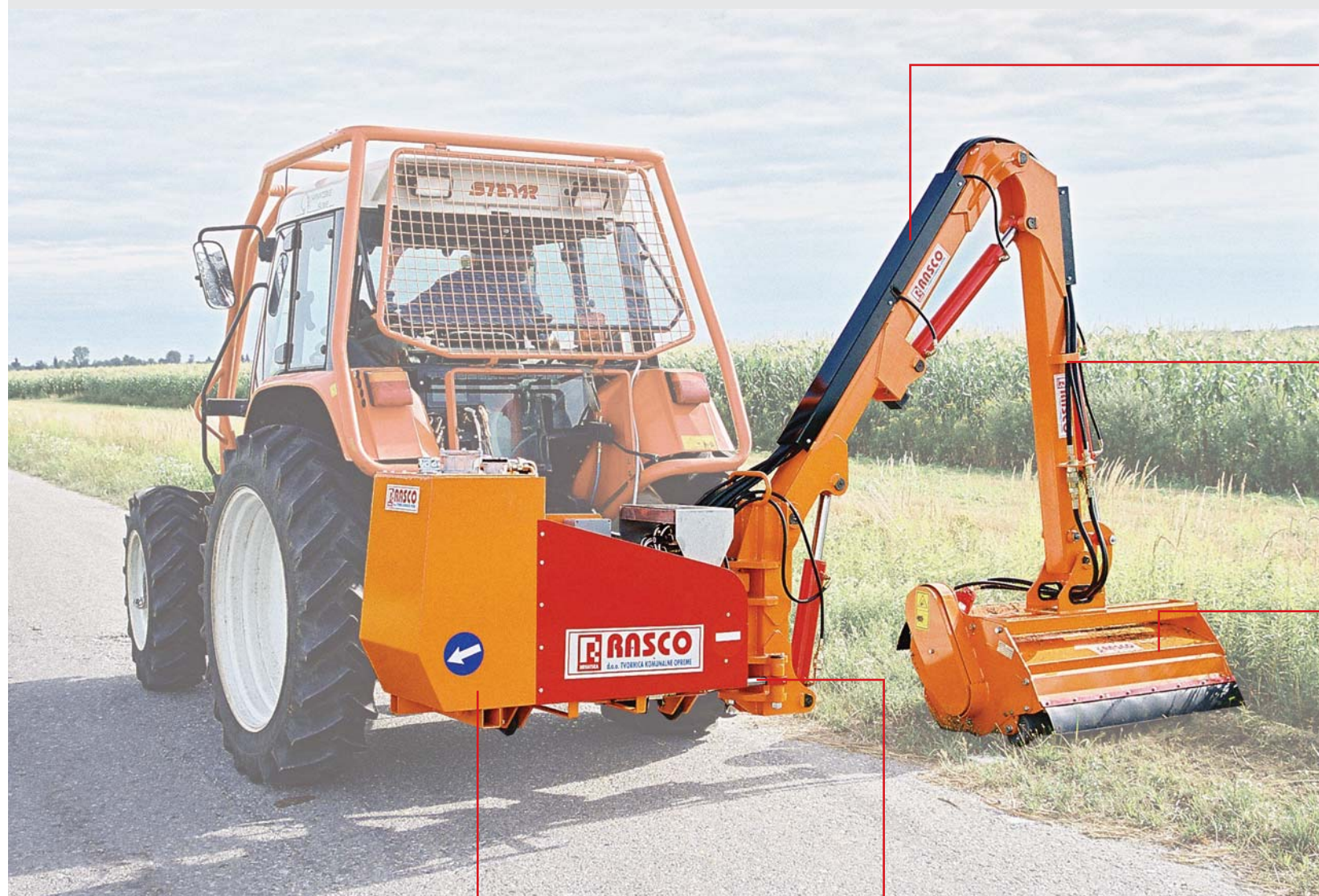
provides the drive for the mowing head's hydro-motor. Depending on customer's particular needs and wishes, the mower can be equipped with three different hydraulic systems (gear pumps, piston-axial pumps in an open hydraulic circuit, or piston-axial pump with a variable flow rate in a closed hydraulic circuit). The hydraulic crane and mowing head are controlled via an ergonomically designed control stick from within the tractor cabin. Standard mower machine equipment features selective proportional control system (SPC) which ensures smooth operation of the machine by buffering sudden jerks. Depending on customer's particular needs and wishes, the mower can be equipped with full proportional control system (FPC - Sauer Danfoss) which, in addition to buffering sudden jerks, provides simultaneous operation of hydraulic cylinders. The choice of control systems enables greater operating efficiency of this device.

While in transport position, the mower is fixed to the tractor's rear end.



Standard equipment

NEVA rear mower standard equipment features selective proportional control system (SPC), automatic electronic weight relief system – easy



● **Protection cover**
Protect hydraulic hoses from damaging during work.

● **Mower crane**
Mower crane can feature various attachments, such as mowing head, SRG branch cutter, KAN ditch cleaner and BM lateral brush.

● **Mowing head**
Standard mower equipment features a mowing head with light blades to cut grass and other vegetation with the diameter of up to 1.5 cm. Depending on customer's particular needs, the mower can be equipped with a mowing head with mid-weight or heavy blades.



Mounting frame

It features a two-circuit hydraulic system and electro-hydraulic proportional drive system, a carrying frame attached to the tractor's rear hydraulic levers and a separate oil tank with 180 liter volume. The built-in multiplier provides the drive to the hydraulic pumps. Depending on customer's particular needs and wishes, the machine can be equipped with different types of control and hydraulic systems.



Cylinder for the mower rotation

Besides rotating the mower into the working position, it also serves as a safety element when the mowing head encounters an obstacle.

type	weight * [kg]	mowing width [mm]	max. efficiency rate [m ² /h]	working reach from the center of the drive vehicle [mm]	principle of operation	working velocity
NEVA 5000	1000	1000/1300	9600	5000	rotational blades	0,1 ÷ 8
NEVA 6000	1100	1000/1300	9600	6000	rotational blades	0,1 ÷ 8



* weight of the mower with TORNADO 1300 L mowing head without the carrying frame

rear mower

NEVA

Additional equipment

Depending on customer's needs and wishes, the hydraulic unit can be equipped with:

- a piston axial hydraulic pump which provides the drive for the working tool in the open hydraulic circle, and a gear pump for the crane operation;
- a piston axial hydraulic pump with variable flow which provides the drive for the working tool in the closed hydraulic circle, and a gear pump for the crane operation;

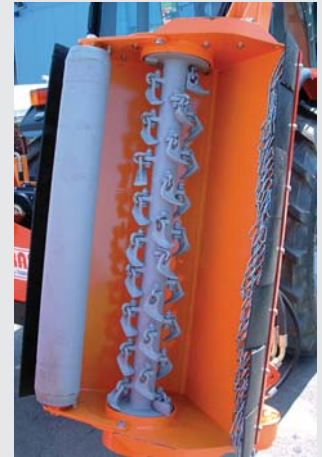


Depending on the customer's needs and wishes, the device can be equipped with the following systems:

- **Full Proportional Control (FPC)** - provides simultaneous operation of hydraulic cylinders;
- **Easy Control System (ECS)** - automatic weight relief system with adjustable proportional pressure valve;

Depending on customer's needs and wishes mower can be equipped with the following working tools:

- a mowing head with light blades with the width of 1000, 1300 or 1500 mm;
- a mowing head with mid-weight blades with the width of 1000, 1300 or 1500 mm;
- a mowing head with heavy blades with the width of 1300 mm;
- SRG 1400 / 1800 branch cutter;
- BM 600 lateral brush for curbside cleaning



Mounting

Rear mower is designed to be mounted onto tractors. It is designed as a rear three-point attachment. Additional carrying frame is advised to be mounted onto the tractor instead of original hydraulic levers in order to ensure smooth and safe operation of the device. The tractor has to have a minimum weight of 4000 kg, engine power rating of 50 kW and rear PTO shaft with 540 and/or 1000 rpm.

It is recommended that mounting of the mower is made by manufacturer, or an authorized workshop according to manufacturer instructions.

- Kolodvorska 120 b, HR-48361 Kalinovac
- tel: +385 (48) 883 112; fax: +385 (48) 280 146
- e-mail: rasco@rasco.hr
- www.rasco.hr

Dealer

