



P R E S S B R A K E S

PPEC



Precision Hydraulic Press Brakes

Meeting the demands of a constantly changing marketplace requires flexibility, reliability and the use of advanced production techniques that ensure end-product quality.

LVD press brakes represent the latest in bending technology, providing industry with the means to respond to an ever-evolving marketplace.

The latest addition to our comprehensive range of press brakes is the new PPEC.

LVD's simple to use new PPEC press brakes provide capacities from 80 tons, 2 m up to 220 tons, 4.27 m with 4 to 7 CNC controlled axes, depending upon machine model. LVD's V-axis crowning system is fitted to PPEC-5 and PPEC-7 models to ensure parallel and consistent bending results over the different tonnage levels.

Rigid Frame Design

- Press brakes up to 220 tons are designed and built utilizing a welded one-piece frame, machined without repositioning, guaranteeing machine precision.
- Hydraulic cylinders are machined from a solid steel billet.
- Pistons are steel forgings, precision ground and micropolished for years of trouble-free service.

Microprocessor Technology for Optimum Precision

- Servo-controlled using state-of-the-art hydraulics and electronics to ensure perfect control of the bending process.
- Double bed referenced encoders are connected to the bed in such a way that deformation of the side frames during bending does not influence the positioning accuracy of 0,01 mm of the upper beam (Y1-Y2).

With LVD press brakes, you obtain an optimal bending process and excellent bending results — from the first piece.



CADMAN® LITE CONTROL

The new CADMAN® Lite control is based upon the same easy-to-use platform as LVD's full featured CADMAN® Touch control. Featuring a number of the same key features as seen in CADMAN® Touch, CADMAN® Lite utilizes LVD's new and highly successful graphical user interface to provide a simple and truly intuitive user experience for operators.

Key advantages

- Easy to use
- Intuitive
- Fast programming
- Highly reliable
- Network compatible

Some key features

- 2D graphical programming
- Quick Bend programming
- Automatic collision detection
- Network connection to LVD CADMAN®-B 3D offline software (optional)



Selection menu



Tooling database



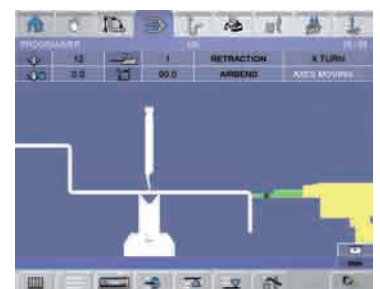
Quick Bend programming



Graphic editor



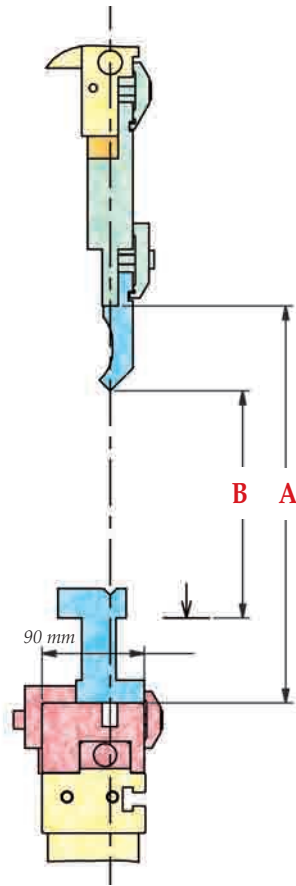
Manual bending sequence



Graphic simulation

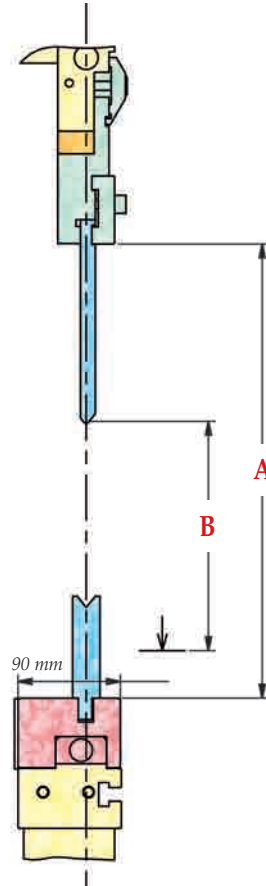
RAM STYLES

Universal-style Tooling



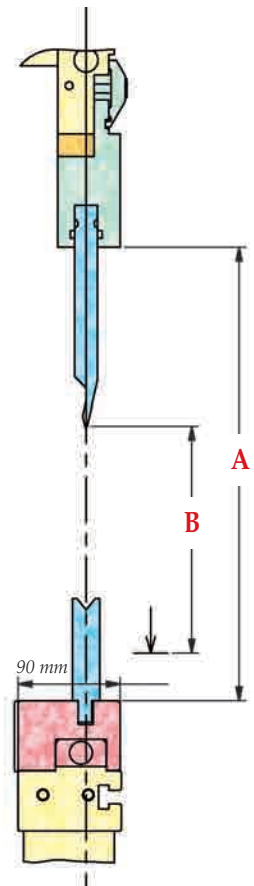
	A	B
Capacity	Distance	Stroke
80-220 T	350 mm	200 mm

LVD-style Tooling



	A	B
Capacity	Distance	Stroke
80-220 T	400 mm	200 mm

Vertical-style Tooling

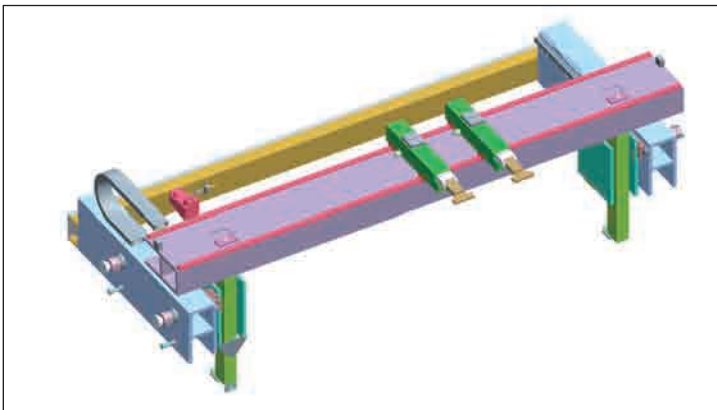


SPECIFICATIONS

Type		80/20	80/25	110/30	135/30	135/42	170/30	170/42	220/30	220/42
Pressing force	kN	800	800	1100	1350	1350	1700	1700	2200	2200
Working length	mm	2000	2500	3050	3050	4270	3050	4270	3050	4270
Distance between uprights	mm	1550	2050	2600	2600	3820	2600	3820	2600	3820
Stroke	mm	200	200	200	200	200	200	200	200	200
Distance table/ram	mm	500	500	500	500	500	500	500	500	500
Gap	mm	400	400	400	400	400	400	400	400	400
Approach speed	mm/s	130	130	100	100	100	100	100	100	100
Working speed*	mm/s	15	15	11	11	11	10	10	10	10
Return speed	mm/s	150	150	100	100	100	100	100	110	110
Motor	kW	11	11	11	11	11	15	15	18	18
Oil	l	225	225	275	275	275	325	325	375	375

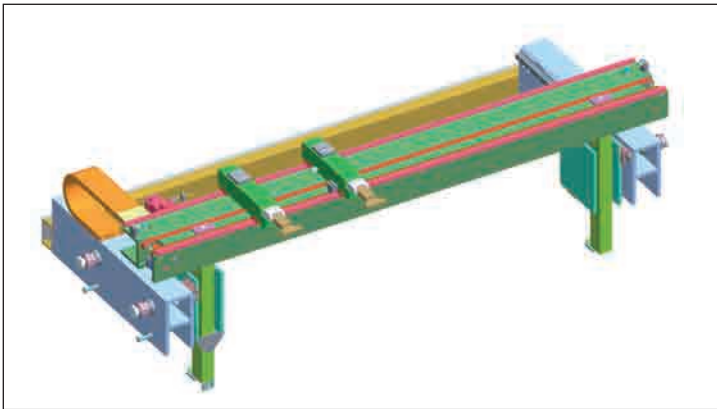
* For CE-countries working speed is limited according to safety norm.
Specifications subject to change without notice.

Backgauges

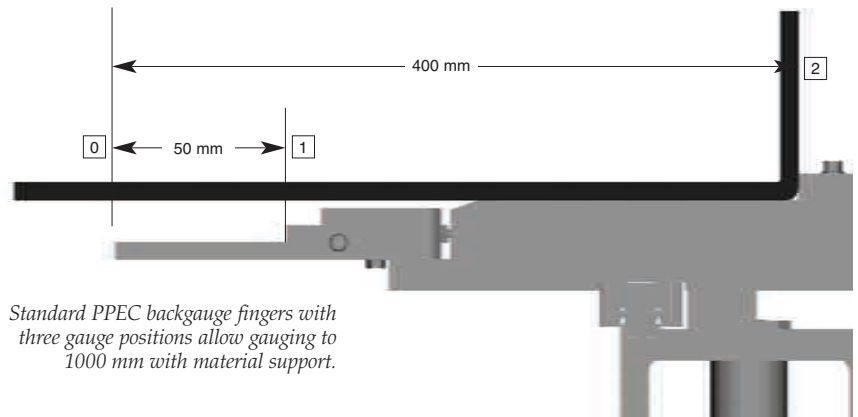


X duo-R

- Solid construction
- Allows depth (X-axis) and height (R-axis) positioning
- Standard 2 backgauge fingers
- Additional fingers can be fitted on the 2-axis backgauge
- 4 axis backgauge adds Z1-Z2 CNC motorized backgauge movement



X duo-R-Z1-Z2



Standard PPEC backgauge fingers with three gauge positions allow gauging to 1000 mm with material support.



A D D R E S S E S

HEADQUARTERS

LVD Company nv
Nijverheidslaan 2
B-8560 GULLEGEM
BELGIUM
Tel. + 32 56 43 05 11
Fax + 32 56 43 25 00
e-mail: info@lvd.be

Strippit Inc.
12975 Clarence Center Rd.
USA-AKRON NY 14001
UNITED STATES
Tel. + 1 716 5424511
Fax + 1 716 5425957
e-mail: info@strippit.com

JOINT VENTURES

LVD-HD
Huangshi City, China

SUBSIDIARIES*

LVD BeNeLux nv
Gullegem, Belgium

LVD GmbH
Lahr, Germany

LVD s.a.
Raismes, France

LVD Italia s.r.l.
Parma, Italy

LVD Limited
Oxfordshire, United Kingdom

LVD SWE-NOR A/S
Oslo, Norway

LVD GR E.P.E.
Volos, Greece

LVD-Polska Sp. z.o.o.
Kedzierzyn-Kozle, Poland

LVD SIT d.o.o.
Ajdovscina, Slovenia

LVD S₂
Tornala, Slovakia

LVD Napomar s.a.
Cluj, Romania

LVD do Brasil Ltda.
Joinville, Brazil

Magal LVD India Pvt. Ltd.
Bangalore, India

P.T. LVD Center
Jakarta, Indonesia

LVD (Malaysia) Sdn. Bhd
Shah Alam, Malaysia

LVD Company Ltd.
Bangkok, Thailand

LVD-Strippit (Shanghai) Co., Ltd.
Shanghai, China

** For full address details of your local subsidiary or agent, or to download the latest literature, please visit our website:*

www.lvdgroup.com