

Wheel Balancers

SERIES
GEODYNA 7100
GEODYNA 7200

Accuracy and
small footprint



Wheel Balancers of Series geodyna 7100, geodyna 7200



SMART SONAR

SMART SONAR

Automatic rim width acquisition via Smart Sonar (geodyna 7200s only) together with rim diameter and offset measurement via 2D-SAPE make this balancer the ideal solution for high-volume workshops.

SHORT BALANCING CYCLE

Extremely short balancing cycle (start/stop) of 4.5 sec.

TOUCH PANEL

Easy to operate with a comfortable touch panel.

SILVER USER INTERFACE

This graphical user interface allows fast and intuitive selection of the balancing modes.

GAUGE ARM

Semi-automatic data entry and positioning of adhesive weights.

VPM

Measurement technique for uncompromised accuracy.

easyALU

Semi-automatic selection of balancing modes (Alu or steel rim).



GAUGE ARM



TOUCH PANEL





FEATURES OF THE GEODYNA 7100

- Intuitive LED display
- Semi-automatic input of rim diameter and offset with gauge arm
- Manual input of rim width
- Imbalance optimisation program
- Imbalance minimisation program
- Constant rotational speed
- QuickBal for reduced cycle time
- Split weight mode
- The pedal-operated mechanical lock firmly holds the wheel in every position

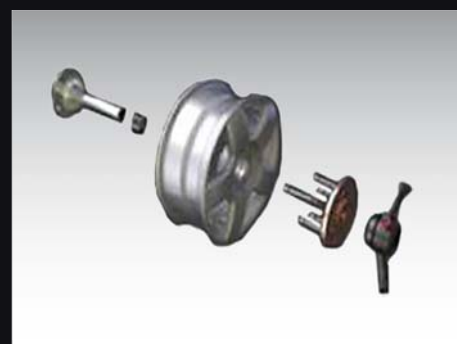
geodyna 7100n: without wheel guard

geodyna 7100m: with motorcycle wheel adaptor instead of quick nut – for balancing of motorcycle wheels

FEATURES OF THE GEODYNA 7200

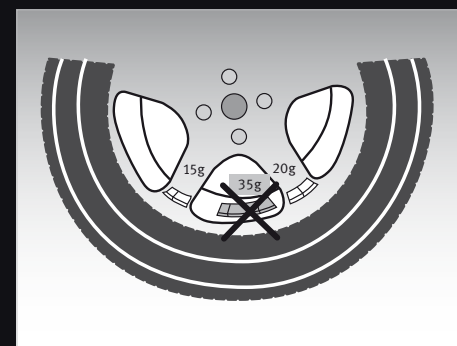
- 19" TFT monitor with intuitive SILVER user interface
- Semi-automatic input of rim diameter and offset with gauge arm
- Manual input of rim width
- Imbalance optimisation program
- Imbalance minimisation program
- Constant rotational speed
- easyAlu for semi-automatic selection of balancing modes
- QuickBal for reduced cycle time
- Split weight mode
- The pedal-operated mechanical lock firmly holds the wheel in every position

geodyna 7200s: with Smart Sonar for automatic and non-contact detection of rim width



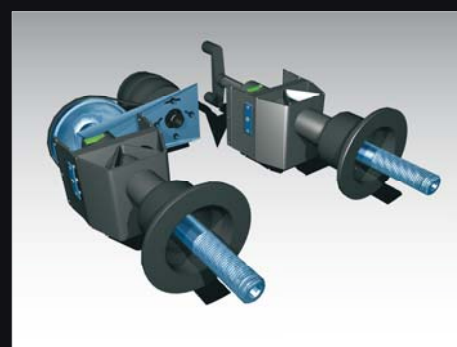
OVERSIZE SHAFT

The shaft of 225 mm allows the use of stud-hole flanges and other accessories for almost every type of rim.



SPLIT WEIGHT MODE

Hides adhesive weights behind two adjacent spokes so they cannot be seen from the outside.



VPM

Technical Data and Features

TECHNICAL DATA

		geodyna 7100 / 7100n / 7100m	geodyna 7200 / 7200s
Vehicles supported		Passenger car / Light truck / SUV / Off-road / Motorcycles (needs adaptors)	Passenger car / Light truck / SUV / Off-road / Motorcycles (needs adaptors)
Measuring speed	rpm	< 100	< 200
Balancing accuracy	g	1	1
Angular resolution	°	0.7	0.7
Start/Stop time (wheel 195/65R15)	s	6	4.5
Semi-automatic data entry (SAPE)			
Rim diameter	inch	8 – 25	8 – 25
Rim width	inch	–	– / 3 – 15
Manual data entry			
Rim diameter	inch	8 – 32	8 – 32
Offset	inch	1 – 20	1 – 20
Rim width	inch	1 – 20	1 – 20
Maximum wheel dimensions			
Max. wheel diameter	mm	960 / 960 / n.a.	1050
Wheel width	mm	76 – 508	76 – 508
Max. wheel weight	kg	70	70
Diameter of shaft	mm	40	40
Length of shaft	mm	225	225
Wheel lift max. load	kg	70	70
Power supply		230V 1ph 50/60Hz	230V 1ph 50/60Hz
Dimensions L x W x H (Wheel guard open)	mm	1100 x 1005 x 1711 / 690 x 450 x 977 / 1100 x 1005 x 1711	1012 x 781 x 1834
Net weight	kg	70 / 60 / 70	82

FEATURES

	geodyna 7100 / 7100n / 7100m	geodyna 7200 / 7200s
Vibratory system technology	VPM with integrated flange	VPM with integrated flange
Wheel clamping	Quick nut	Quick nut
Wheel guard	• / – / •	•
Cycle start	Automatic (wheel guard) / Start key / Automatic (wheel guard)	Automatic, start by closing wheel guard
Wheel braking after measurement	Automatic with current injection	Automatic with current injection
Wheel lift type	Optional BW 2010	Optional BW 2010
Balancing program selection	Manual	Semi-automatic – easyALU
Smart sonar		• / –
Split weight	•	•
Minimisation	•	•
Optimisation	•	•
Main shaft lock	Mechanical	Mechanical
Self-calibration	•	•

EMEA-JA

Snap-on Equipment s.r.l. - Via Prov. Carpi, 33 - 42015 Correggio (RE)
Phone: +39 0522 733-411 - Fax: +39 0522 733-479 - www.hofmann-europe.com

France

Snap-on Equipment France - ZA du Vert Galant - 15, rue de la Guivernone BP 97175
Saint-Ouen-l'Aumône - 95056 Cergy-Pontoise CEDEX
Phone: +33 134 48 58-78 - Fax: +33 134 48 58-70 - www.hofmann-france.fr

Germany

Snap-on Equipment GmbH - Konrad-Zuse-Straße 1 - 84579 Unterneukirchen
Phone: +49 8634 622-0 - Fax: +49 8634 5501 - www.hofmann-deutschland.com

Italy

Snap-on Equipment s.r.l. - Via Prov. Carpi, 33 - 42015 Correggio (RE)
Phone: +39 0522 733-411 - Fax: +39 0522 733-410
www.hofmann-italia.com

United Kingdom

Snap-on Equipment Ltd. - Unit 17 Denney Road, King's Lynn - Norfolk PE30 4HG
Phone: +44 118 929-6811 - Fax: +44 118 966-4369
www.snapon-equipment.co.uk

