



ENGINE

Make	: KUBOTA
Type	: V2403M-T-E3B D Diesel Engine
Number of Cylinders	: 4 in line
Bore & Stroke	: 87 x 102.4 mm
Displacement	: 2434 cm ³
Maximum Power	: 44 kW, 59 hp (2700 rpm)
Maximum Torque	: 160 Nm (1600 rpm)

High power and torque output, water cooled turbocharged diesel engine.

Compatible with USA EPA Tier 4 and European EC Stage III-B exhaust gas emission regulations

DRIVE SYSTEM

- Servo controlled Axial Piston Variable Displacement Double Pumps driving Radial Piston, Multi-stroke hydraulic motors enabling forward and reverse motion.
- Service Brake is provided by Hydraulic Driving System
- Spring on, hydraulic pressure off park brake system
- Travel speeds 0-12 km/h forward and reverse.

CAB & HOOD

- Ergonomic & Esthetic Interior Design provides maximum space
- Wide Visual Angle
- Full Rops / Fobs cab with sound proofing
- Two joysticks for all controls ergonomically mounted onto seat
- Air conditioner
- Multi-functional Seat with seatbelt
- Easy to read full color LCD display
- Ergonomic & Elegant hand and foot Throttle
- Battery isolator
- Ease of service maintenance
- Well protected fuse box inside the operator cab



HYDRAULIC SYSTEM

Main Pump Flow	: 61 lt/min (2700 rpm)
Pressure	: 220 bar
Travel pump Flow	: 243 lt/min (2700 rpm)
Pressure	: 400 bar

CONTROLS

Ergonomic servo controlled joysticks mounted on the seat control driving and front loading operation. Same joysticks also control backhoe operation when the operator seat is turned to backhoe side.

TIRES

Front	: 10 x 16.5 10 Pr Skz
Rear	: 10 x 16.5 10 Pr Skz

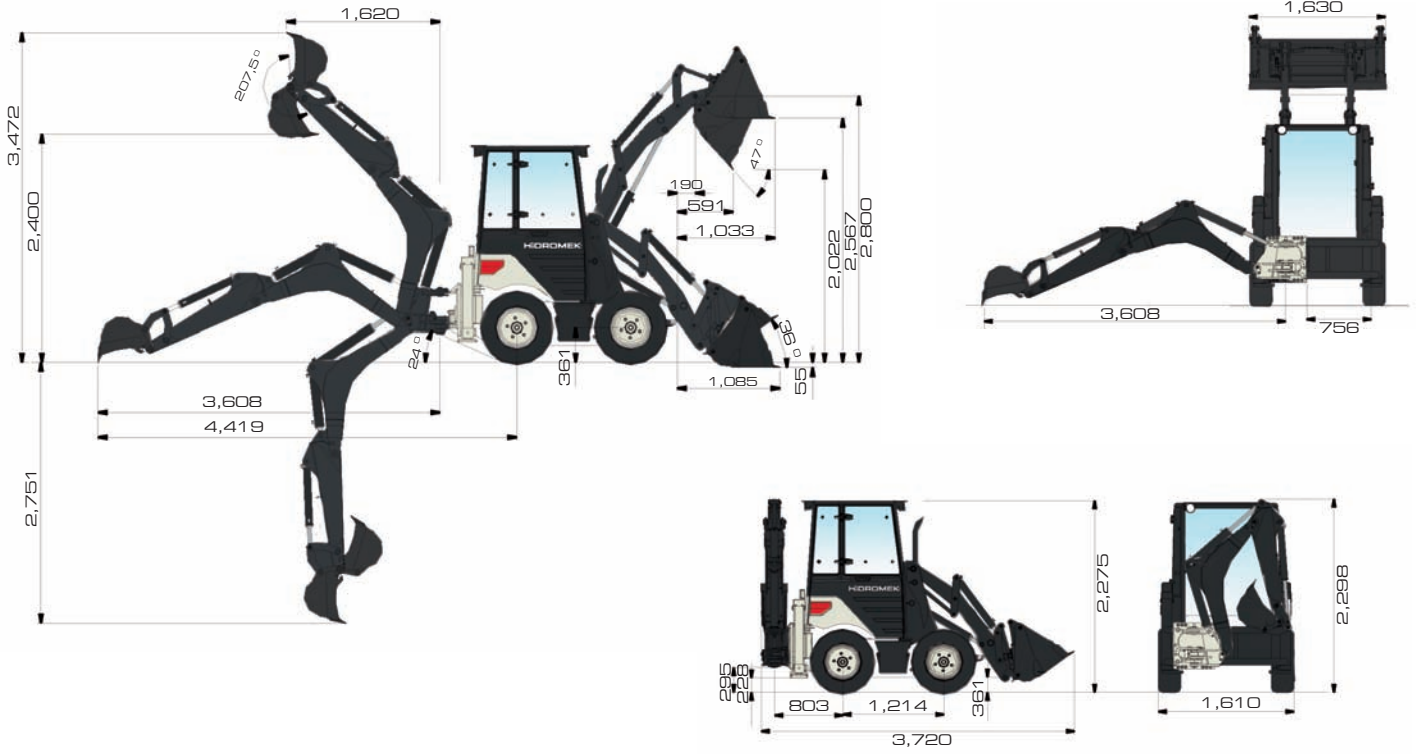
OPERATING WEIGHT

Operating weight (with standard equipment* : 3600 kg

* Operating weight (includes machine equipped with 420 mm backhoe bucket, shovel without forks, with 75 kg operator weight and full fuel tank.



HMK 62 SS



LOADER PERFORMANCE

4 in 1 bucket capacity	0.35 m ³
Max. bucket breakout force	2883 kgf
Max. loading arm breakout force	3250 kgf
Lifting capacity to maximum height	2190 kg

BACKHOE PERFORMANCE

Bucket capacity	0.06 m ³
Max. bucket breakout force	2692 kgf
Max. dipper breakout force	1643 kgf
Lifting capacity to maximum height (rear)	332 kg

STANDARD EQUIPMENTS

- Rops / Fops cab
- LCD Display
- 4 in 1 Bucket
- Mechanical loader quick hitch
- Auxiliary hydraulic supply to loader
- Seat mounted servo controlled joysticks
- Self levelling
- Rotating beacon
- Battery isolator
- Reverse alarm
- External mirrors
- Working lights
- Road lights
- Seatbelt
- Air conditioner
- Hydraulic breaker installation line



Attachments



Hydraulic Breaker



Dozer Blades



Standard Bucket



Augers



Agricultural Grab



Forks Mounted on Quick Coupler

HIDROMEK®

FACTORY - HEAD OFFICE

Ayas yolu 25. km 1. Organize Sanayi Bölgesi Osmanlı Caddesi No: 1
06935 Sincan / ANKARA / TURKEY
Phone: (+90) 312 267 12 60 Fax: (+90) 312 267 21 12
www.hidromek.com email: export@hidromek.com.tr

Notice:
HIDROMEK has the right to modify the specifications and design of the model indicated on this brochure without prior notice.