



lateral mower **BRK**



*medium reach
mower*





*medium reach
mower*

Application

BRK lateral mower is designed to cut grass, weeds, shrubbery and similar vegetation along the roadway curbstones, water canals and other surfaces.

Technical description

BRK lateral mower is mounted laterally onto a specially built mounting frame on the tractor. It does not require the tractor's hydraulic pump for its operation; it uses a separate hydraulic unit with an oil tank attached to the tractor's rear levers.

The hydraulic crane and mowing head are controlled via control stick from within the tractor cabin. Standard mower machine equipment features selective proportional control system (SPC) which ensures smooth operation of the machine by buffering sudden jerks. Depending on customer's particular needs and wishes, the mower can be equipped with full proportional control system (FPC - Sauer Danfoss) which, in addition to buffering sudden jerks, provides simultaneous operation of hydraulic cylinders. The choice of control systems enables greater operating efficiency of this device. While in transport position, the mower is fixed to the tractor's rear end. Standard mower types are featured in the inserted table.

BRK lateral mower's standard equipment features selective proportional control system (SPC), automatic electronic weight relief system – easy control system (ECS), mounting frame on the tractor, hydraulic power unit with two-circuit hydraulic system (gear pumps) and hydraulic crane.



Cylinder for the mower rotation

Besides rotating the mower into the working position, it also serves as a safety element when the mowing head encounters an obstacle.



Mounting frame

It is made separately for each particular tractor and is used to fix the lateral crane mower to the tractor.



Hydraulic unit

It features a two-circuit hydraulic system and electro-hydraulic proportional drive system, a carrying frame attached to the tractor's rear hydraulic levers and a separate oil tank with 180 liter volume. The built-in multiplier provides the drive to the hydraulic pumps. Depending on customer's particular needs and wishes, the machine can be equipped with different types of control and hydraulic systems.

Mower crane

Mower crane can feature various attachments, such as mowing head, SRG branch cutter, KAN ditch cleaner, BM lateral brush and HYDRA mowing head.

Mowing head

Standard mower equipment features a mowing head with light blades to cut grass and other vegetation with the diameter of up to 1.5 cm. Depending on customer's particular needs, the mower can be equipped with a mowing head with mid-weight or heavy blades.

type	weight * [kg]	working reach [mm]	mowing width [mm]	working velocity [km/h]
BRK 5000	1230	5000	1000/1300/1500	0,1 do 8
BRK 6000	1300	6000		
BRK 7000	1370	7000		

*weight of the mower with the mounting frame and TORNADO 1300 L mowing head

lateral mower

BRK



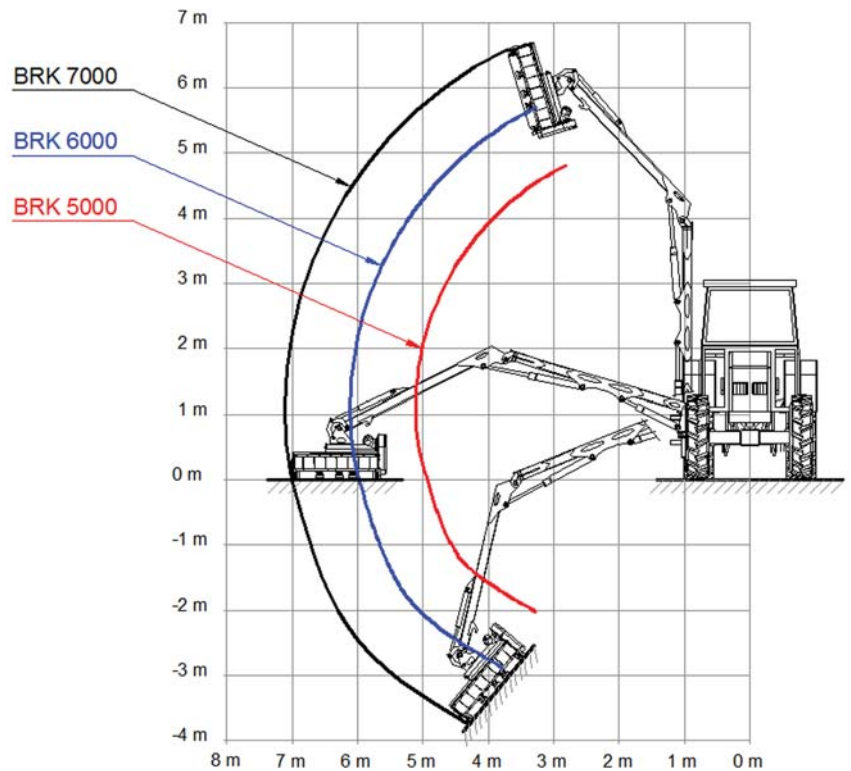
Additional equipment

Depending on customer's needs and wishes, the hydraulic unit can be equipped with:

- a piston axial hydraulic pump providing the drive for the working tool in the open hydraulic circle, and a gear pump for the crane operation;
- a piston axial hydraulic pump with variable flow providing the drive for the working tool in the closed hydraulic circle, and a gear pump for the crane operation;

Depending on customer's needs and wishes mower can be equipped with the following working tools:

- a mowing head with light blades with the width of 1000, 1300 or 1500 mm;
- a mowing head with mid-weight blades with the width of 1000, 1300 or 1500 mm;
- a mowing head with heavy blades with the width of 1300 mm;
- SRG 1400 / 1800 branch cutter;
- BM 600 lateral brush for curbside cleaning
- HYDRA mowing head with universal rotor ,capable of fitting 3 types of blades (light blades for up to 15 mm, mid-weight blades for up to 30 mm and heavy weight blades for up to 50 mm of vegetation in diameter);



Mounting

Lateral mower is designed for mounting onto heavy tractors which meet the requirements regarding load capacity and weight. The tractor has to have a minimum weight of 4000 kg, engine power rating of 65 kW and rear PTO shaft with 540 and/or 1000 rpm.

The mower is mounted onto the frame manufactured specifically for the tractor. In order to mount this type of mower, customer needs to transport the tractor into RASCO's workshop or let RASCO make the choice of the tractor keeping in mind the customer's wishes.

- Kolodvorska 120 b, HR-48361 Kalinovac
- tel: +385 (48) 883 112; fax: +385 (48) 280 146
- e-mail: rasco@rasco.hr
- www.rasco.hr



Dealer