

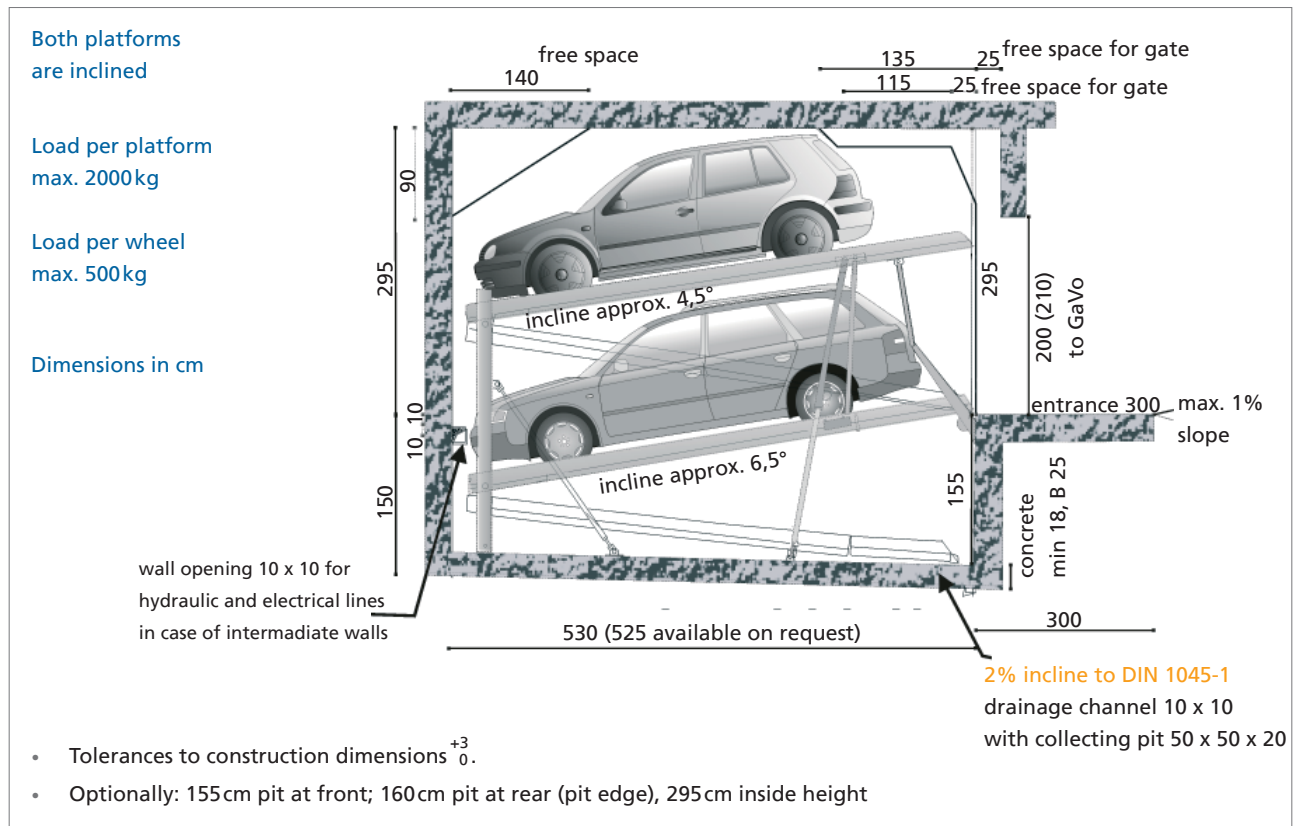


Kipparker N 3000 comfort S/D

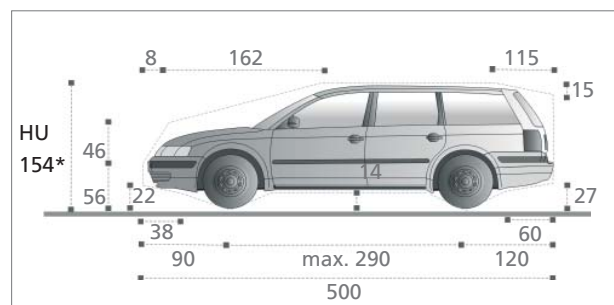
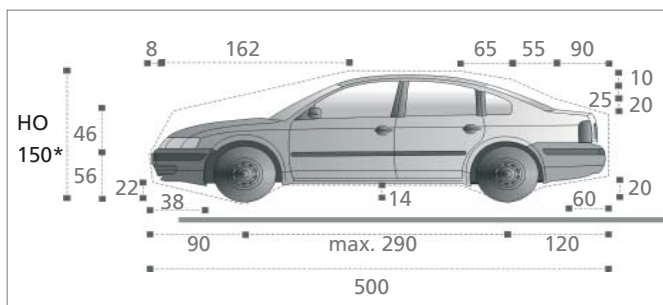
The classic even more user friendly
with less platform inclination

Areas of application

residential buildings, single garages above ground and prefabricated garages



Vehicle Data



max. car width 190cm, max. load per platform 2000kg, max. load of wheel 500kg

*HO platform above

Height of the car in HO is 150cm. HO is not suitable for station wagons, low clearance cars or tuned cars (spoilers or roker rail). In the extra height version with 310cm inside height station wagons can park in the above level.

*HU platform below

Height of the car in HU is 154cm. Neither the standard or the extra height version is suitable for station wagons, low clearance cars or tuned cars (spoilers or roker rail). For these vehicles we recommend the parking systems Liftparker N 4400 and N 4600 with horizontal accessible platforms.

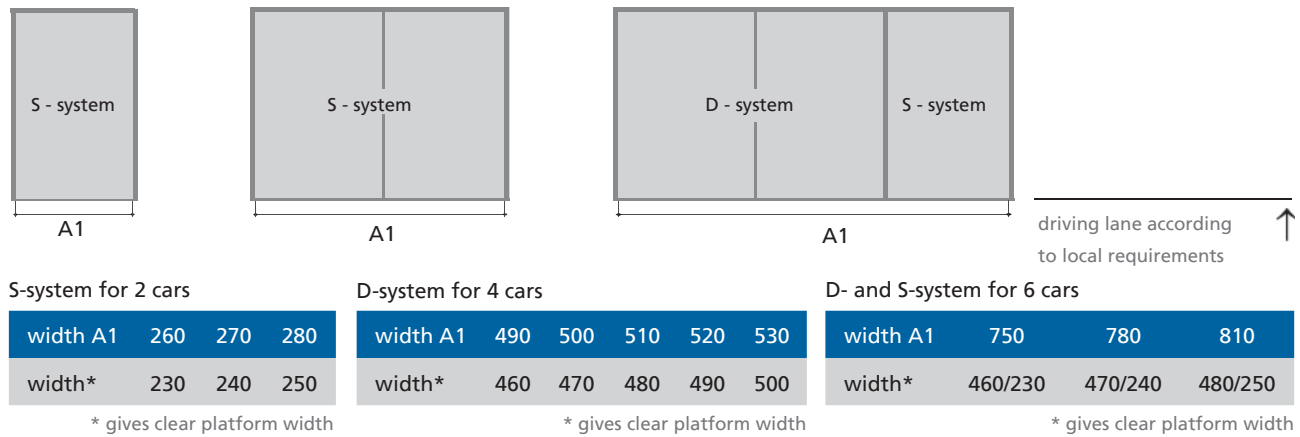
Note: The total car height including roof rail and antenna fixture must not exceed the mentioned max. height.

Width dimensions • Garages

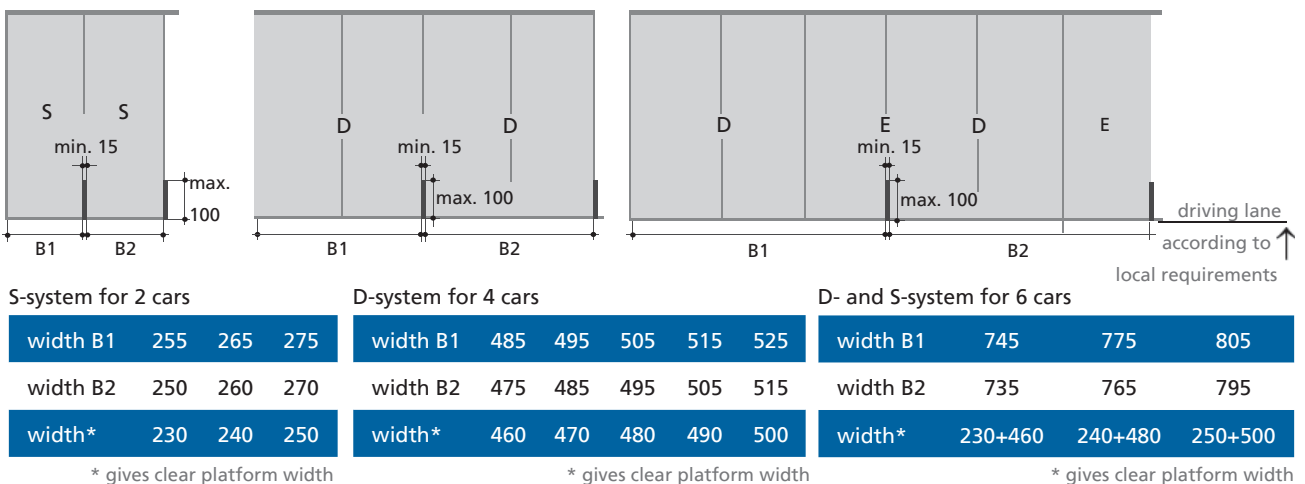
All dimensions are minimum dimensions. All dimensions in cm. Tolerances to the German Norm VOB part C (DIN 18330, 18331) and DIN 18202 are to be considered.

Note: Dimensions do not include the dimensions of the hydraulic unit. Dimensions of the hydraulic unit and the switch cabinet shown in page 4 below, are to be considered in the planning.

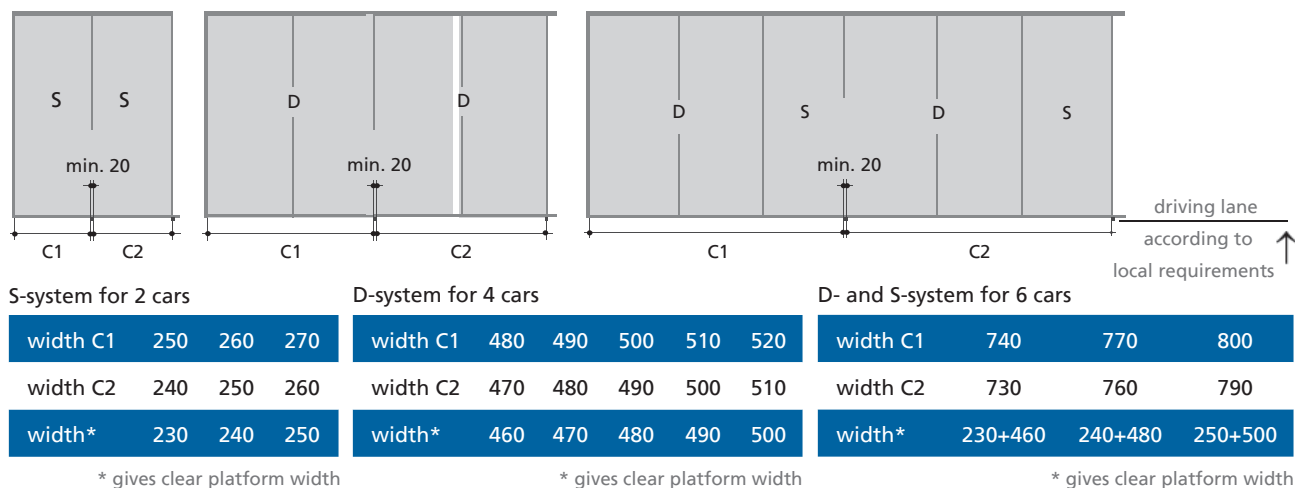
partition walls



building pillars inside of the pit



building pillars in front of the pit

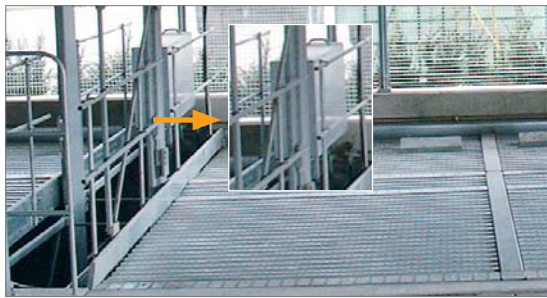


Features in the scope of delivery



Key switch

Key switch incl. emergency stop, dead man's control type with brief operating instructions and wiring to hydraulic unit.



Hydraulic unit

Hydraulic unit "Silencio" with tubing and wiring to the installation. The oil submerged motor "Silencio" is extremely quiet and smooth running. The motor-pump assembly is sound absorbent.

Location

- between or behind two systems in the pit on a 2m high support, see picture above
- if there is no space between or behind the systems – wall-mounted
- single systems: power supply placed directly on the lower platform, in the front left side

Dimensions incl. switch cabinet

- 1 – 2 systems: 65cm x 25cm x 60cm
- 3 – 5 systems: 115cm x 25cm x 60cm

The hydraulic unit can be used for up to 5 Car Parking Systems.

Scope of supply

S/D-systems with 2 platforms, 2 columns, 2 hydraulic cylinders and hydraulic block

Width of parking space

Width of parking space 230cm and depth of pit 155/150cm as standard

Safety devices

- synchronizing device for safe operation even with unequal load distribution on the platform
- entering wedge for easy drive-in and parking
- locking device prevents lowering by pipe breakage
- fixation of the car parking systems and hydraulic unit with HD-anchors, wiring and impact dowels
- railings to avoid risk of falling onto the platform, insofar as necessary

Note: Safety guards against shearing and squeezing have priority and must be provided by the Buyer.

Protection against corrosion

Corrosion protection version „Classic“ of driving plates by continuous line-galvanizing to DIN EN 10142/10143. Corrosion protection version „Classic Plus“ of driving plates by line-galvanizing to DIN EN 10142/10143 (depending on the market specific needs zinc coated and powder coated sheet metal included in the scope of supply).



Driving plates

Driving plates as trapezoidal sheet plates as standard, options see "Extra Equipment".

Extra Equipment and Options



- button lifting
- button lowering
- emergency stop
- key switch with key interlock

Berlin control system/Fire brigade

Interlocked key switch, removal of the key only in the upper basic position.



Driving plates

Alu-bulb-plate in the walking area even more user friendly when walking and driving.



Catwalks

Positioning on the left side of the parking space even more comfortable, when walking to the driver's door. 1,5mm zincd sheet, surface area coined. The catwalks are screwed to the driving plates, available with corrosion protection version „Classic“ or „Classic Plus“. Dimensions approx. 350 cm x 31/41 cm (L x W)

Width of parking space

Width of parking space 240 cm and 250 cm is recommended for even more vehicle comfort

Vehicle weight

Optional vehicle weight: 2500 kg – not by inclined parking spaces. We recommend to use for these vehicles our solutions Liftparker N 4400 and N 4600 with horizontal accessible platforms.

Additional sound insulation

- structure-borne noise package to comply with DIN 4109 and adherence to sound insulation-measure R_w '57
- sound insulation hood to minimize airborne sound

Hydraulic

- HVLP-oil for high fluctuations in temperature

Installation of garage gates

- ramp when door facing is not available to install the door slide rail, pit length must be 535 cm, at the minimum

Protection against corrosion

- Corrosion protection version „Premium“ of driving plates by individual piece-galvanizing to DIN ISO 1461
- Corrosion protection version „Premium Plus“ of driving plates by individual piece-galvanizing to DIN ISO 1461 and coating of the top surfaces

Tips

- We recommend a maintenance contract.
- Attendance and cleaning according to recommendations or in regular intervals.

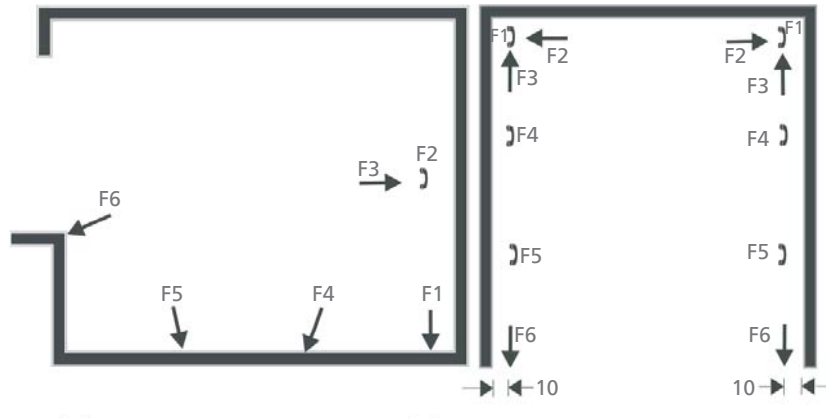
Interfaces to be performed by the Buyer

Foundation

Foundation works exactly to size, clean and dry is to be completed by the start of the installation. Bonded anchors for high foundation requirements shall be provided if necessary, available also as option.

Foundation plan

	single-system	double-system
F1	13 kN	30 kN
F2	+/- 2 kN	+/- 2 kN
F3	2 kN	7 kN
F4	8 kN	15 kN
F5	10 kN	10 kN
F6	+/- 5 kN	+/- 10 kN



The pit must be executed in compliance with the designated forces. The forces and loads are transferred to the foundation by bearing plates with an area of 150cm². The bearing plates are fixed with metal expansion anchors. The drill hole depth is approx. 14 cm. All walls in the pit below the entrance level must be of concrete.

Electrical Data

- supply line to main switch 5 x 2,5mm² or according to local requirements, fuse protection 3 x 16 amp, slow
- lockable main switch, near to hydraulic unit but outside of the pit, completed at the beginning of installation, height approx. 180cm above entrance level (color requirements to EN 60204-1, 10.7.4, color red)
- capacity of the hydraulic unit: 400volt, 50hz, threephase motor 3,0kW
- electrical potential equalisation (foundation grounding steel-construction to VDE 0100 T410)

General costumers duties

- level surface (L x W) 50cm x 20cm to attach the control panel, close to the system, outside the platform area
- safeguarding according to DIN EN 294
- lighting according to DIN 67528, illumination of parking lots and buildings for parking
- at the edge of the pit a 10cm wide, yellow-black marking according to ISO 3864
- wall opening 10cm x 10cm for hydraulic and electrical lines in case of intermediate walls
- compliance with installation requirements as per quotation

lockable main switch



safeguarding to DIN EN 294

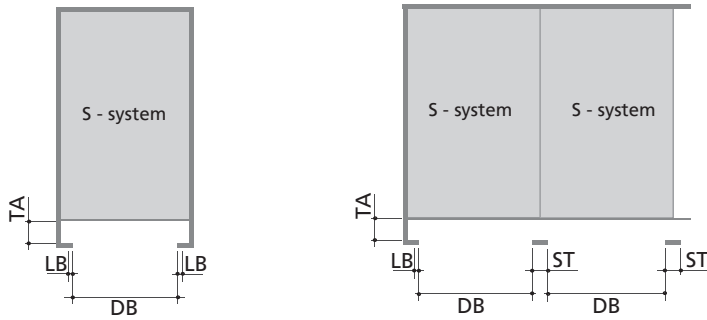


marking pit edge



Width dimensions • Garages with doors

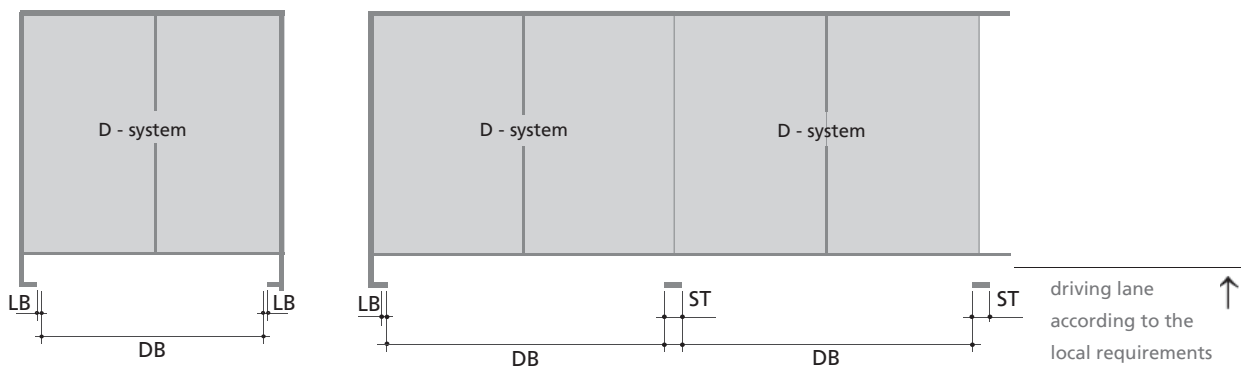
single system for 2 cars



TA = seat-engaging surface for doors
The dimensions must be agreed with the door manufacturer on site.

width of parking space	door entrance width DB	reveal LB	pillar ST
230	237 ⁵	12 ⁵	25
240	250	12 ⁵	25
250	250	15	30

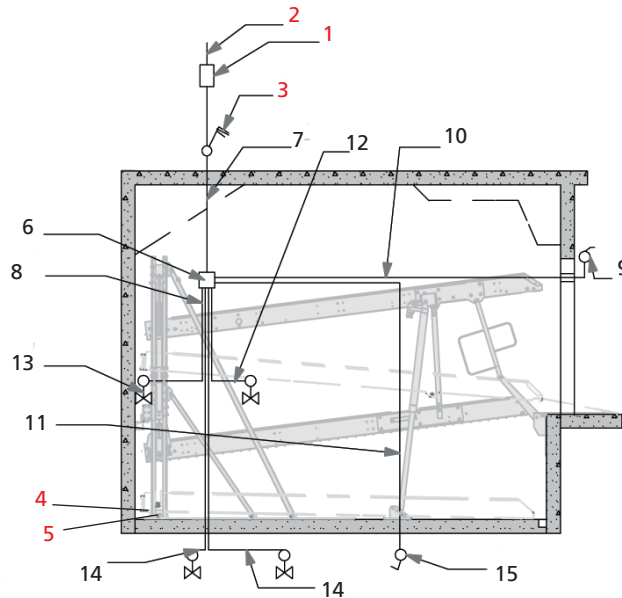
double system for 4 cars



width of parking space	door entrance width DB	reveal LB	pillar ST
460	460	15	30
470	475	12 ⁵	25
480	475	17 ⁵	35
490	500	12 ⁵	25
500	500	15	30

Electric Installation

Installation diagram



Item	Performance	Quantity	Designation	Location	Frequency
1	on site	1	fuse or automatic circuit 3 x 16 amp slow to DIN VDE 0100 part 430	in the feed cable	1 per hydr. unit
2	on site	1	supply line 5 G 2,5mm ² or according to local requirements	feed cable to main switch	1 per hydr. unit
3	on site	1	lockable main switch	near to hydraulic unit	1 per hydr. unit
4	on site	each 10m	foundation earth connector	corner pit floor/ rear wall	
5	on site	1	potential equalisation to DIN EN 60204	from foundation earth connector to the system	1 per hydr. unit
6	Nussbaum	1	hydraulic unit with 3-phase motor 230/400volt, 50hz 3kW		
7	Nussbaum	1	supply line 5 G 2,5mm ² with marked wires and protective conductor	from main switch to hydraulic unit	1 per hydr. unit
8	Nussbaum	1	control line 2 x 1		
9	Nussbaum	1	control element with emergency stop		
10	Nussbaum	1	control line 4G1		
11	Nussbaum	1	control line 4G1		
12	Nussbaum	1	control line 2 x 1		
13	Nussbaum	1	hydraulic valve lifting and lowering		
14	Nussbaum	1	hydraulic valve lifting and lowering by installation in ranks		
15	Nussbaum	1	control element for each further system		

The items 6 – 15 are included in the scope of supply, unless otherwise specified in the offer/order.