



# Mobile Wheel Engaging Column Lifts

Models: RGE • RGE-GPGU • MCL • RGA



Lifting Technology



For vans, trucks, buses and special purpose vehicles



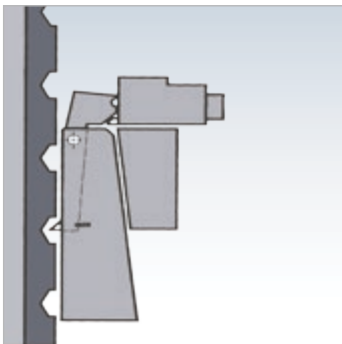
# Wheel Engaging Lift for Trucks and Buses

## Model: RGE



### Lifting system

Hardened stainless steel screw with low friction recirculating ball nut. Splash proof and dirt repellant design giving long life and low maintenance.



### Utmost safety

Independent locking device acting directly between column and carriage.



## Supplied Equipment

- ▶ Four single mobile columns with controls at each column
- ▶ Splash-proof power supply unit, including 10 m long connection cable and a connecting cable for powering the entire lift, with main switch (On/Off), universally connectable to each column of the system
- ▶ Three connecting cables, 10 m long each with plug and socket
- ▶ One mechanical dolly movable, on two wheels
- ▶ Lifting carriage with fixed wheel engaging forks
- ▶ Electronic synchronisation and safety monitoring as standard
- ▶ Low-friction recirculating ball nut and screw (efficiency over 90 %)
- ▶ Safety locking device independent of drive and screw
- ▶ Very easy emergency lowering function, in the event of a power failure, for example

## Description

- ▶ Five-year screw operation warranty
- ▶ Very long service life
- ▶ Limit stop, safety monitoring and displacement measurement through non-contact inductive sensors
- ▶ Selection of single columns (grouping) by keypress
- ▶ No master column owing to the mobile power supply unit, universally connectable to each column of the system
- ▶ Column wiring of utmost simplicity through ring line with end plug
- ▶ Good handling owing to the very slim design
- ▶ Low base frame height of 129 mm, thereby also allowing lifting of city buses
- ▶ 400 mm fork length for single wheel application
- ▶ Non-contact RPM sensing, bottom limit switching and nut monitoring through proximity switch, upper limit switching is software controlled
- ▶ EC type approval (CE)
- ▶ Electronic load monitoring



Remote Control TCNA 10-2  
up / down with emergency  
button (optionally available).

Slim design for easy manoeuvrability.



Convenient operation through rugged membrane keypad (up, down, single and group operation is possible).

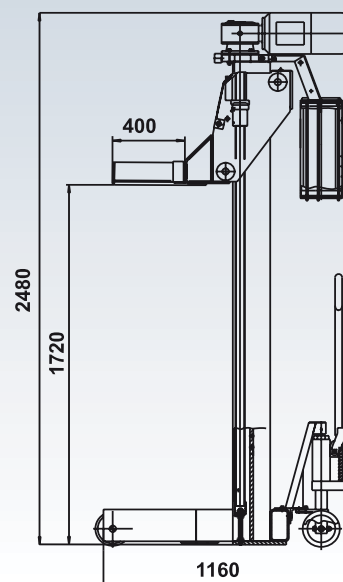
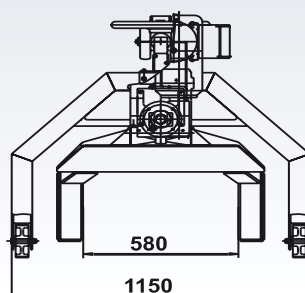


No master column owing to the mobile power supply unit VELP.



## Technical Data

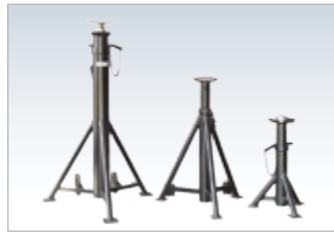
|                                  |                            |
|----------------------------------|----------------------------|
| Maximum load capacity per column | 7.5 t                      |
| Lifting range                    | 1750 mm                    |
| Raising/lowering time            | 113 s                      |
| Net weight per column            | 452 kg                     |
| Motor power per column           | 1.5 kW                     |
| Control voltage                  | 230/24 V                   |
| Supply voltage                   | 3 x 400/230 V, 50 Hz       |
| Wheel size                       | 8.25 to 12.00-20/12 R 22.5 |
| System of protection             | IP 54                      |



## Accessories for RGE



By fitting reduction sleeves vehicles with smaller wheel diameters can be accommodated.



**Stands**

|   |          |                |
|---|----------|----------------|
| 1 | AB 6-07, | 470 - 795 mm   |
| 2 | AB 6-12, | 875 - 1395 mm  |
| 3 | AB 6-20, | 1200 - 1965 mm |



|   |                                     |
|---|-------------------------------------|
| 1 | <b>Adjustable support</b> SP 75     |
| 2 | <b>Support plate</b> APV for stands |
| 3 | <b>Support disk</b> APR for stands  |



Remote control TCNA 10-2 with UP/DOWN and Emergency Off key function.



Hydraulic dolly; Model: MFP, for bolting to each column.



Illumination fitted to the side of the column.

### Further accessories, for example

- ▶ Single column RGE, including connecting cable with plug for assembling a six column system; without control box
- ▶ Carwash model RGE
- ▶ Custom control unit for connecting up to 12 wheel engaging columns
- ▶ Lifting carriage with fixed wheel engaging forks for special wheels
- ▶ Various power supply units
- ▶ Rechargeable battery torch
- ▶ 230 V shock-proof socket
- ▶ Dolly, mechanical, movable on wheels, Model: MFR-2
- ▶ Crossbar for accommodating semi-trailers
- ▶ Heavy duty castors at the base frame with plastic running surface

The RGE line maintains the successful line of MAHA wheel engaging lifts. This wheel engaging generation of lifts excels through its new electronic microprocessor controller which ensures the following functions:

- ▶ Synchronisation and communication between the columns
- ▶ Grouping
- ▶ Ball nut rupture monitoring
- ▶ Mains phase failure monitoring
- ▶ Automatic shutdown when hitting an obstruction
- ▶ Upper/bottom limit stop
- ▶ Monitoring and, if required, automatic changing of the phase sequence
- ▶ Electronic load monitoring

# Universal Lift for Forklifts, Rail Vehicles and Special Purpose Vehicles, Model: RGE-GPGU



Rail vehicles



Forklift



Municipal vehicles



Aircraft vehicles



Military vehicles

## Accessories



Various support forks.



Special adapter for the rail vehicles, customized.



### Stands

|   |          |                |
|---|----------|----------------|
| 1 | AB 6-07, | 470 - 795 mm   |
| 2 | AB 6-12, | 875 - 1395 mm  |
| 3 | AB 6-20, | 1200 - 1965 mm |

Various other accessories are available!

### References:

Public transportation services in Potsdam (D), Chemnitz (D), Bern (CH), Stockholm (S), Göteborg (S), Wiener Linien, Wien (A), VAG Nürnberg (D), OEG Mannheim (D), Military (D), (S), (CH), (FIN), (GB), (A), (P)

## Supplied Equipment

- ▶ Two single mobile columns with control box at each column
- ▶ Splash-proof power supply unit, including 10 m long connection cable and a connecting cable for powering the entire lift, with main switch (On/Off), universally connectable to each column of the system
- ▶ One connecting cable, 10 m long with plug and socket
- ▶ One mechanical dolly, movable on two wheels
- ▶ Lifting carriage with movable flat, wheel engaging forks
- ▶ Electronic synchronisation and safety monitoring as standard
- ▶ Low-friction recirculating ball nut and screw (efficiency over 90 %)
- ▶ Safety locking device independent of drive and screw
- ▶ Very simple emergency lowering function, in the event of a power failure, for example

## Description

- ▶ See RGE!

This lift is specially suited for accepting forklifts and rail vehicles, custom solutions upon request!



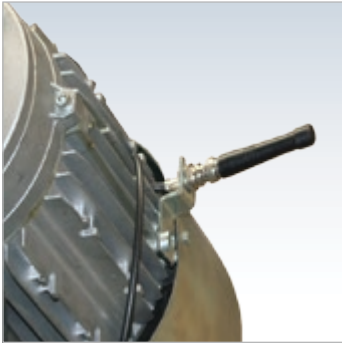
Universal carriage

### Technical Data

|                                  |                            |
|----------------------------------|----------------------------|
| Maximum load capacity per column | 7.5 t                      |
| Lifting range                    | 1750 mm                    |
| Raising/lowering time            | 113 s                      |
| Net weight per column            | 502 kg                     |
| Motor power per column           | 1.5 kW                     |
| Control voltage                  | 230/24 V                   |
| Supply voltage                   | 3 x 400/230 V, 50 Hz       |
| Wheel size                       | 8.25 to 12.00-20/12 R 22.5 |
| System of protection             | IP 54                      |

# Wheel Engaging Lift for Delivery Vans, Trucks and Buses

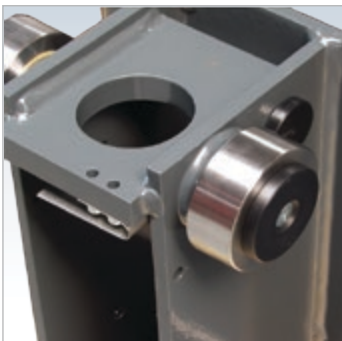
## Model: MCL



Owing to **radio control** no connecting cables between the columns are necessary. Thus no time is needed for wiring up the columns.



**Low-maintenance grease lubrication** within the carrying and safety nut ensures a supply of the lubricant for the trapezoidal lifting screw with long maintenance intervals.



**High stability** owing to low friction losses through roller suspended carriage.



### Supplied Equipment

- ▶ Four single mobile columns including splash-waterproof control box, each with a 10 m long connecting cable
- ▶ Electronic controller with functions UP/DOWN, emergency shutdown pushbutton, pushbuttons for single, joint and group operation
- ▶ One mechanical dolly movable, on two wheels
- ▶ Lifting carriage with fixed wheel engaging forks
- ▶ Electronic synchronisation and safety monitoring through wireless link
- ▶ Trapezoidal lifting screw with safety nut
- ▶ Drive unit with worm gear motor at the top
- ▶ Emergency lowering mechanism for manual lowering in the event of a power failure
- ▶ 230 V mains power socket

### Description

With MCL line, MAHA offers a cost-effective, high-quality wheel engaging lift with wireless control of column operation

- ▶ Standard delivery 4 (MCL 22), 6 (MCL 33) or 8 columns (MCL 44)
- ▶ Electronic control with single and group operation through wireless link
- ▶ No master column and additional power supply unit
- ▶ Non-contact limit, safety, and displacement measurement through inductive sensors
- ▶ Low base frame height of 129 mm, thereby also allowing lifting of city buses
- ▶ 400 mm fork length for single wheel application
- ▶ Good handling through slim design
- ▶ EC type approval (CE)



## Accessories



By fitting **reduction sleeves** vehicles with smaller wheel diameters can be accepted.



### Stands

|   |          |                |
|---|----------|----------------|
| 1 | AB 6-07, | 470 - 795 mm   |
| 2 | AB 6-12, | 875 - 1395 mm  |
| 3 | AB 6-20, | 1200 - 1965 mm |



Hydraulic dolly; Model: MFP for bolting to each column.



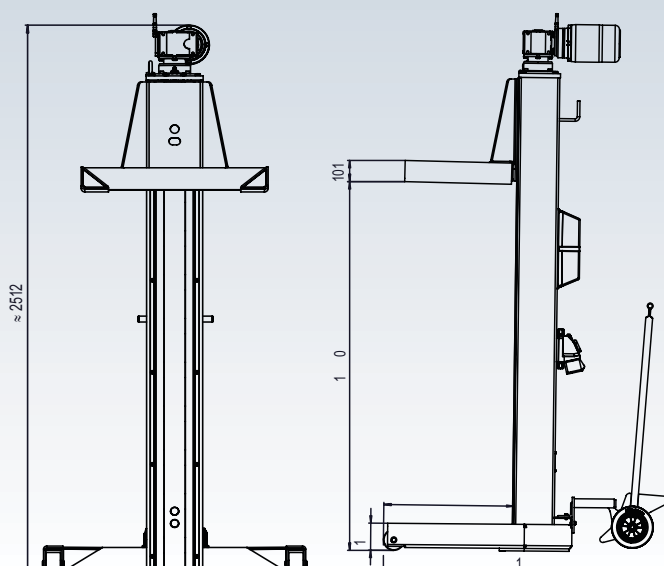
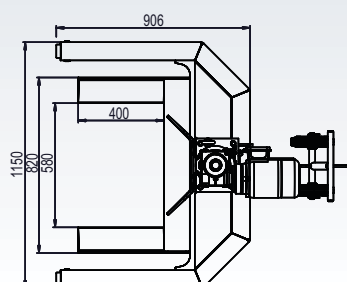
- 1 **Adjustable support SP 75**
- 2 **Support plate APV** for stands
- 3 **Support disk APR** for stands

### Further accessories, for example

- ▶ Cable remote control KFB2
- ▶ Support plate, round, pluggable or adjustable for stands
- ▶ Support plate, square, pluggable or adjustable for stands
- ▶ Crossbar for accommodating semi-trailers

## Technical Data

|                             |                             |
|-----------------------------|-----------------------------|
| Lifting capacity per column | 5.5 t                       |
| Lifting range               | 1750 mm                     |
| Lifting time                | 150 s                       |
| Supply voltage              | 3 x 400 V / 50 Hz           |
| Motor power                 | 2.2 kW                      |
| Wheel size                  | 8.25 to 12.00-20 /12 R 22.5 |
| Weight per column           | 400 kg                      |
| System of protection        | IP 54                       |



# Wheel Engaging Lift, battery-powered, for Trucks and Buses

## Model: RGA



### Lifting system

Hardened stainless steel screw with low friction recirculating ball nut. Splash proof and dirt repellent design giving long life and low maintenance.



Owing to **radio control** no connecting cables between the columns are necessary. Thus no time is needed for wiring up the columns.



The power supply through the **rechargeable battery pack** permits operation independent of any mains power supply and flexible utilisation without wiring work.



### Accessories

- ▶ Single column RGA, with hydraulic dolly
- ▶ Lifting carriage with fixed wheel engaging forks for custom wheels
- ▶ Cable remote control KFB2
- ▶ Reduction sleeves for smaller wheel diameters
- ▶ Stands
- ▶ Support plates, round, plug-gable or adjustable for stands
- ▶ Support plates, square, plug-gable or adjustable for stands
- ▶ Crossbar for accommodating semi-trailers

### Supplied Equipment

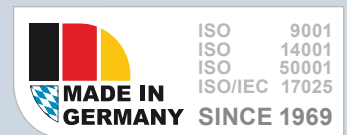
- ▶ Four single mobile columns incl. splash-proof control box and operating unit at each column
- ▶ Hydraulic dolly firmly bolted to each column
- ▶ Lifting carriage with fixed wheel engaging forks
- ▶ Automatic synchronisation as standard
- ▶ Powered through four batteries, 12 V each
- ▶ Electronic synchronisation and safety monitoring through wireless link
- ▶ Drive unit with worm gear motor at the top and low-wear and low-maintenance hardened precision screw with recirculating ball nut (efficiency over 90 %)
- ▶ Safety locking device independent of drive and screw
- ▶ Emergency lowering function, for mechanical lowering in the event of a power failure

### Description

- ▶ 5 year screw operation warranty, very long service life
- ▶ Limit stop, safety monitoring and displacement measurement through non-contact inductive sensors
- ▶ Selection of single columns (grouping) by keypress
- ▶ Non-contact RPM sensing, bottom limit switching and nut monitoring through proximity switch, upper limit switching is software controlled
- ▶ EC type approval (CE)

### Technical Data

|                                  |                            |
|----------------------------------|----------------------------|
| Maximum load capacity per column | 7.5 t                      |
| Lifting range                    | 1750 mm                    |
| Raising/lowering time            | 113 s                      |
| Power supply voltage for charger | 230 V                      |
| Control voltage                  | 48 V                       |
| Strokes at full load (7500 kg)   | 20 strokes                 |
| Strokes at part load (3500 kg)   | 35 strokes                 |
| Motor power                      | 1.5 kW                     |
| Wheel size                       | 8.25 to 12.00-20/12 R 22.5 |
| Weight per column                | 545 kg                     |
| Charging time                    | 8 h                        |



- MAHA Maschinenbau Haldenwang GmbH & Co. KG  
Hoyen 20 · 87490 Haldenwang · Germany

Tel.: +49 (0)8374-585-0 · Fax: +49 (0)8374-585-497  
Internet: www.maha.de · E-Mail: sales@maha.de