



snow plough **BILO**



*compact snow
plough*



Purpose

BILO is the smallest snow plough in RASCO product range.

This professional snow plough is designed for snow removal from sidewalks, bicycle roads, inner city parking lots, as well from access roads to farms and ranches.

Technical description

BILO is a mono-segment snow plough with multi segment scraper system for better adaptation to the surface. Snow plough is controlled from tractor's cab by standard hydraulic controls.

Snow removal is possible to the left-hand and right-hand side of the tractor. Both, driver and snow plough are protected from damage on impact with obstacles by multiple safety features on the snow plough.

BILO is produced in various sizes, starting from 1600 mm and all standard dimensions are listed in table below.

Typ	Plough width (mm)	Clearing width at 30° (mm)	Attack angle	Weight (kg)	Number x number of section
BILO 1,6	1600	1390	20°	195 - 250	4x400 mm
BILO 1,8	1800	1560		200 - 255	2x400 mm + 2x500 mm
BILO 2,0	2000	1730		215 - 265	5x400 mm
BILO 2,2	2200	1900		225 - 275	3x400 mm + 2x500 mm
BILO 2,4	2400	2080		245 - 295	4x500 mm + 1x400 mm

Design

Carefully selected materials • Allows mounting on small tractors • Extremely lightweight thus robust plug
• Professional design • Application of high-technology in manufacturing and surface protection

Flexibility

Hydraulic steering to the left and right • Multi segment swivel scrapers • Easily overcome obstacles • Multiple safety elements • Tailored to the operating conditions in urban areas and confined spaces • Because of its small dimensions it is easier to manage in urban areas with heavy traffic

Safety

Built-in swivel scrapers (primary safety elements) - provide a safe crossing of high barriers • Side bumpers - protecting the plough from side impacts • Skids or castor wheels (secondary safety element) • Marking flags and outline lights

Standard equipment

- snow plough segment
- mounting system for 3-point attachment to the lever of the tractor front hydraulic category 1N/1
- marking flags
- support foot
- side bumpers

Mounting

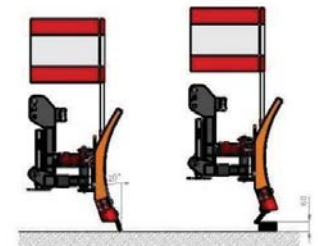
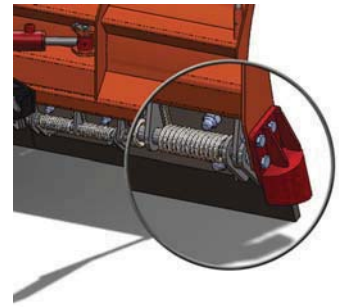
BILO snow plough due to its light weight (from 220kg) and high robustness, can be mounted on small and medium sized tractors that are equipped with front 3-point linkage categories 1N / 1, and with engine power rating up to 80 HP.

Vehicle requirements:

- hydraulic system in accordance with EN 15431
- front 3-point linkage in accordance with ISO 8759-1 / ISO 730

Additional equipment:

- HARDOX 400 steel scrapers with BILO swiveling mechanism
- BILO polyurethane scrapers
- BILO rubber scrapers
- castor wheels (2 pcs.)



snow plough **BILO**

- Kolodvorska 120 b, HR-48361 Kalinovac
- tel: +385 (48) 883 112; fax: +385 (48) 280 146
- e-mail: rasco@rasco.hr
- www.rasco.hr



Dealer

