



*snow plough* **VERTUS - T**

*variable V-plough  
for 3-point hitch*





## Purpose

VERTUS - T snow ploughs are used for snow clearing on roads, parking lots and other surfaces, especially in cities where in narrow streets where variable geometry shows its full benefits.

## Technical description

Snow plough is controlled by an electronic control panel from the tractor cabin. Snow plough consists of two sections with four independent swivel scraper strips, two per section. Snow clearing is possible in several clearing positions:

- Snow clearing as a standard (diagonal) snow plough to the left or right side ( $\pm 40^\circ$ );

*variable V-plough for 3-point hitch*

- Snow clearing in „A“ position for notches or first pass in the deep snow;
- Snow clearing in „V“ position for parking lots, crossroads or whenever it is necessary to prevent lateral disposal of snow. Disposal of snow at a desired location is assured by swiveling one of the blades backwards;

The snow plough and the tractor are protected by multiple safety elements while crossing obstacles. When used properly, the safety elements prevent damage to the snow plough, the vehicle and most importantly ensure the safety of the operator. VERTUS - T snow ploughs are available in several dimensions, depending on desired clearance width. Standard dimensions are shown in the table.

The control system is selected based on the existing hydraulic system of the vehicle. Following three types of control systems are available:

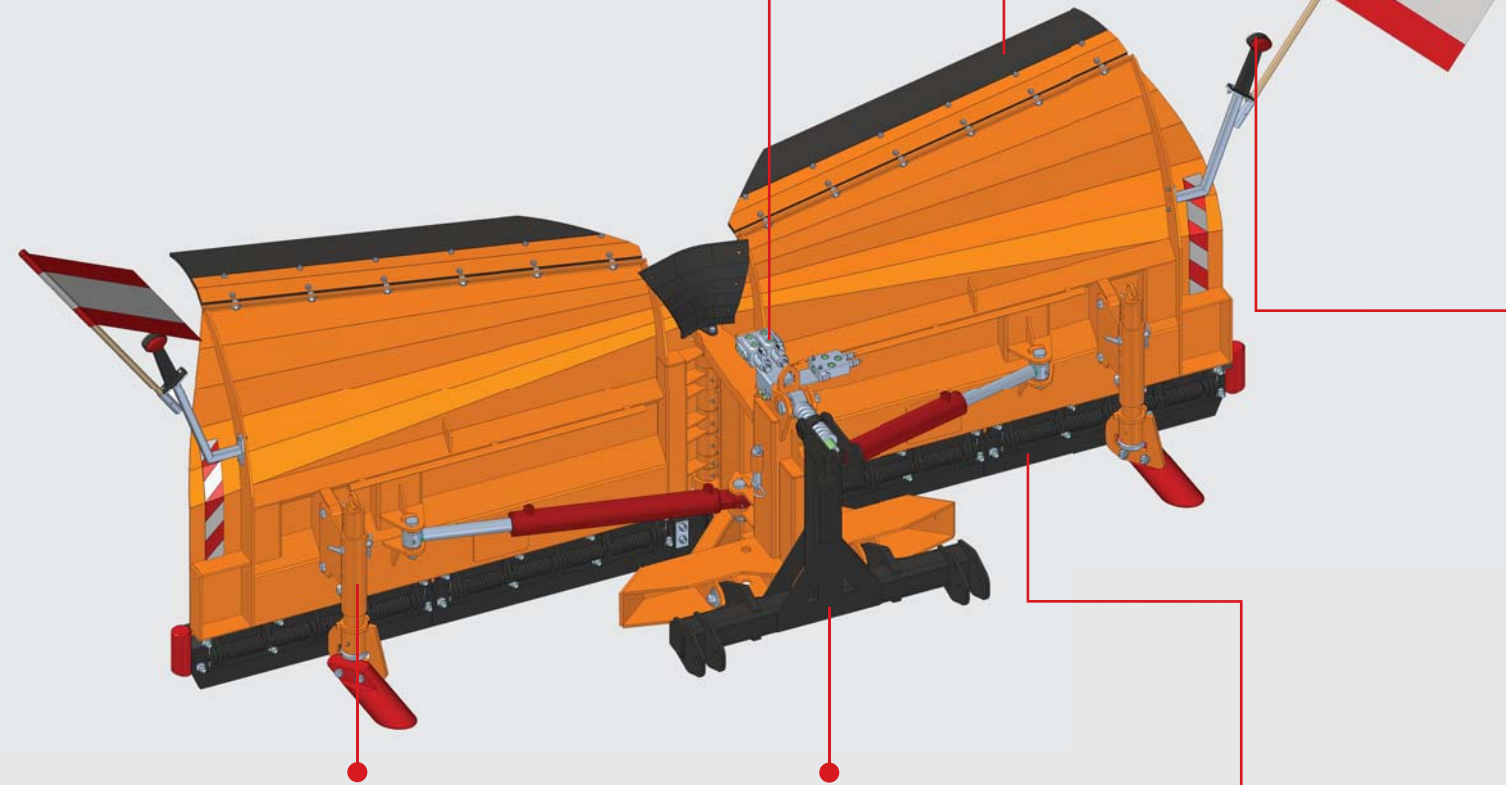
- **BASIC** control - for tractors with three pairs of hydraulic connectors and separate return line in accordance with EN 15431
- **SYNCRO** control - enables connection between the snow plough and the tractor with two pairs of hydraulic connectors and separate return line in accordance with EN 15431
- **RASCOMATIC** control - enables connection between the snow plough and the tractor with one pair of hydraulic connectors and separate return line in accordance with EN 15431

All three systems allow simultaneous and synchronized movement of both plough sections i.e. VERTUS-T is operated as a standard diagonal snow plough.



### Control system

Three types of control system for simple and comfortable snow plough operation on various vehicles.



### Support element (slide pad)

Used to support the weight of the snow plough and to prevent cutting into soft surfaces during snow clearing.

### Attachment system

Three point hitch attachment system.

type	weight * [kg]	A [mm]	B [mm]	C [mm]
<b>VERTUS - T 3.0</b>	÷ 650	3000	2300	1050
<b>VERTUS - T 3.2</b>	÷ 690	3200	2450	1050

\* snow plough weight depends on installed optional equipment

### Snow deflector (rubber apron)

Option. Protects the vehicle's windshield from snow spraying during snow clearing operation.



### Outline lights

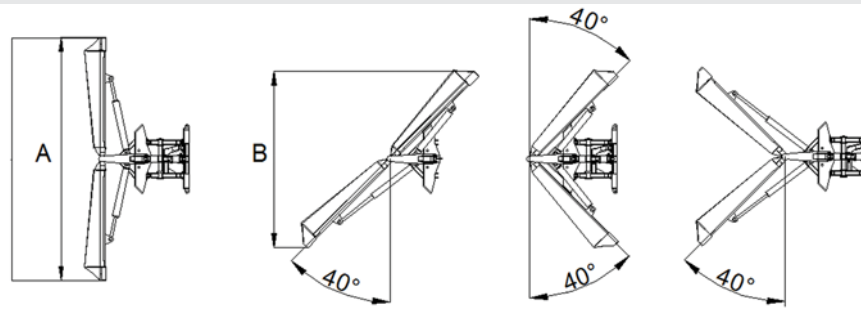
Standard. Additional reflective markings and turn signals available on request.



### Swivel scraper strips

Safety element which assures easier passing over obstacles and noise reduction.

Various types available (wear resistant steel, polyurethane etc.)



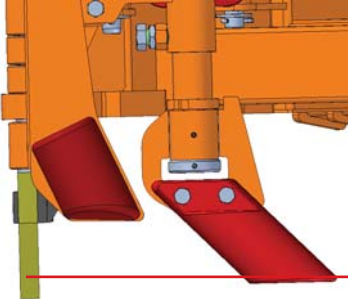
snow plough

**VERTUS - T**

## Additional equipment

### Polyurethane scraper strips

Used for sensitive surfaces such as town squares, airport runways and similar.



## Clearing positions

### Diagonal snow plough

Snow clearing as a standard (diagonal) snow plough to the left or right side ( $\pm 40^\circ$ ).

### Position "A"

Snow clearing in „A“ position for notches or first pass in the deep snow.

### Position "V"

Snow clearing in „V“ position for parking lots, crossroads or whenever is necessary to prevent lateral disposal of snow. Disposal of snow at a desired location is assured by swiveling one of the blades backwards.



## Mounting

VERTUS-T snow ploughs can be mounted on tractors that have the necessary engine power and category 2 front hydraulic levers. Axial tilt is achieved on front hydraulic levers i.e. levers must be independent of each other. Necessary engine power rating is from 74 to 147 kW (from 100 to 200 HP), depending on the size of the snow plough.

It is recommended that the snow plough is mounted on the vehicle by the manufacturer or by an authorized workshop according to manufacturer's instructions.

- Kolodvorska 120 b, HR-48361 Kalinovac
- tel: +385 (48) 883 112; fax: +385 (48) 280 146
- e-mail: [rasco@rasco.hr](mailto:rasco@rasco.hr)
- [www.rasco.hr](http://www.rasco.hr)



Dealer

