

MBB Series

Bookbinding Applications up to 60 mm



Improve system production.

The **MELTON MBB Series** is the best option for irregular bookbinding applications, offering extreme precision and easy adjustment in a limited space. Melton's MBB bookbinding system applies adhesive directly to the book spine. It is specifically developed to keep adhesive quality, important with delicate PUR and EVA glues, and to increase overall production. Adhesive waste levels are ultimately decreased by replacing traditional open-wheel technologies. Improved application onto the paper fibers further enhances quality adhesion that improves set-flat properties and important high-pull values. A complete system from one supplier using our industry standard compatible parts allows for easy integration into existing systems when you need it.

The **MELTON MBB Series**:

- Easy width adjustment up to 60 mm
- Pneumatic pressure regulation
- Suitable for PUR / EVA adhesives
- Variable coating width of 0.3 mm
- Optional GMX filter



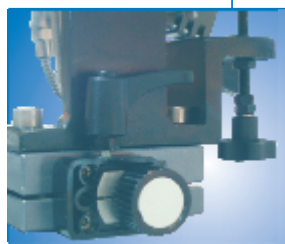
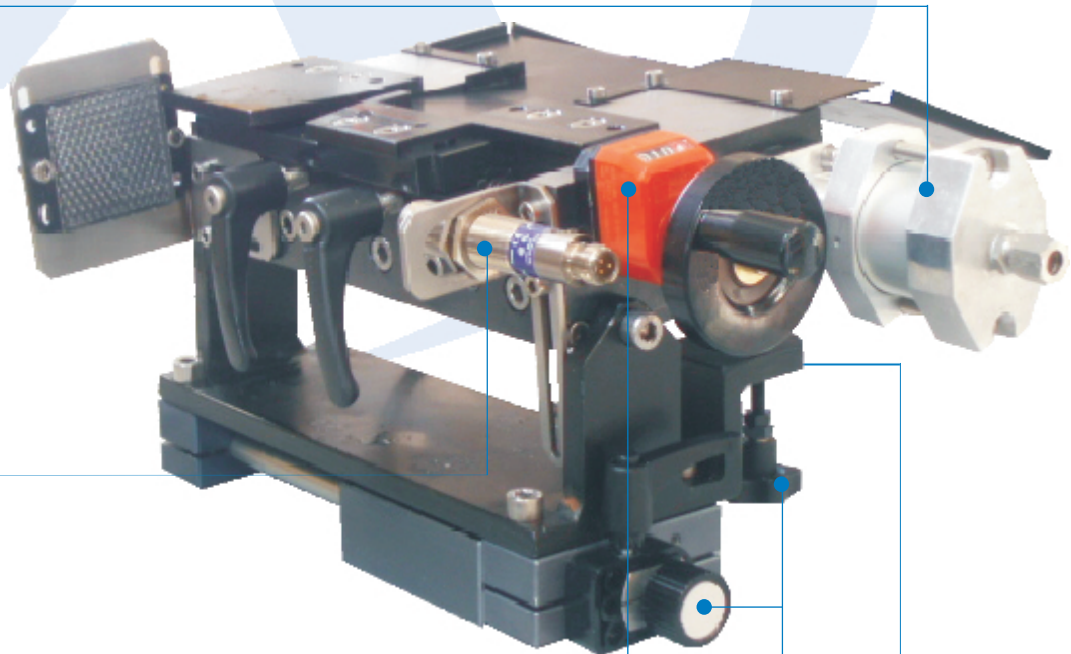
Independent pneumatic pressure regulation.



Photoelectric sensor provides precise alternating application with minimum adhesive waste.



Easy hand adjustment offers ultimate precision up to 60mm in width.

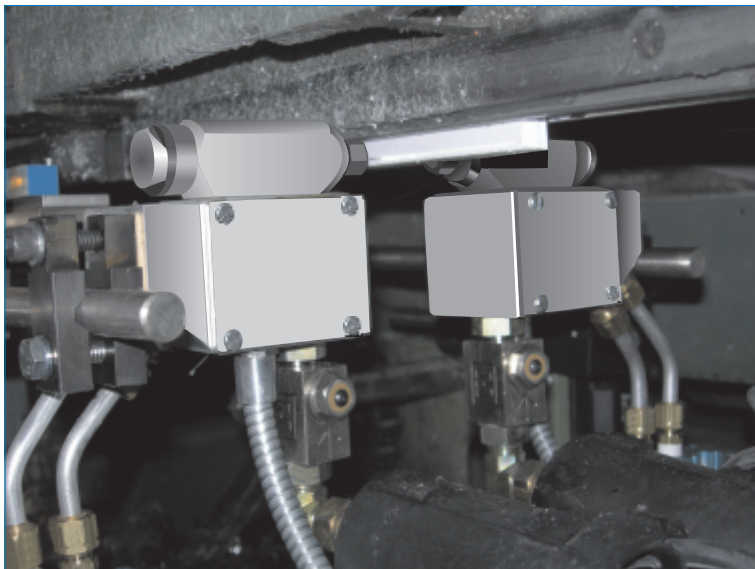


Versatile bracket provides horizontal and angular adjustment.



The MBB Series Snuffback Module is optimized to provide clean cut-off and enhanced product finishing.

MBB Series Bookbinding Applications



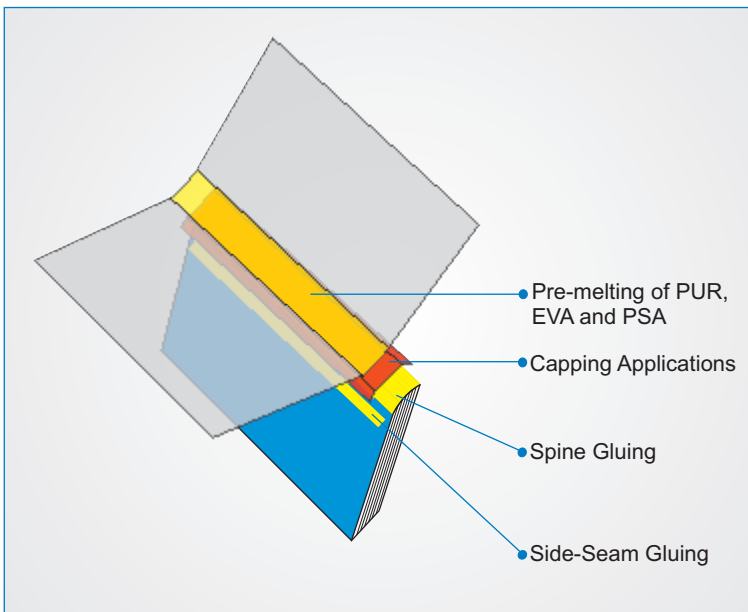
MELTON offers a wide range of equipment solutions for side gluing needs. A wide array of industry standard compatible electric and pneumatic guns and nozzles bring added flexibility to suit specific and special adhesive (EVA/PSA) needs with clean cut-off, superior end-product quality, and enhanced performance.

MELTON Side Gluing solutions include:

- Contact or Non-Contact systems for on the block or cover-feed gluing
- Bracket installation for quick change-outs and added precision placement

Applicators can be mounted to apply the adhesive to the book block (as shown) or to the cover feeder.

Additional Bookbinding Features



We offer a number of drum melters specifically created for unique PUR and EVA adhesive needs, perfect for high-quantity adhesive dispensing and precise application on continuous jobs. Finned, flat, and axial platens are all available for maximized melting capabilities. With a number of specific equipment options and double system operation capabilities, we offer a range of solutions to support a variety of customer needs. A wide selection of standard hot melt units are also available.

- **MELTON** also offers permanent and removable tipping attachments for publications using compact and modular designs for added ease-of-use on in-line and off-line tipping applications.
- We present an increased sales and support network in over 52 countries worldwide.



For more information visit www.valcomelton.com, or contact your local representative.

World Headquarters: USA, Cincinnati, Ohio (Corporate Offices) • Tel: 513.874.6550 • Fax: 513.874.3612 info@meltonhotmelt.com

European Headquarters: Spain, Navarra • Tel: +34.948.321.580 • Fax: +34 948 326 584 melton@melton.es

Asian Headquarters: China, Xiamen, Fujian • Tel: +86.592.591.7854 • Fax: +86.592.591.7834 china@valcomelton.com

www.valcomelton.com • Serving Over 52 Countries Worldwide.

