




**W140SE - W140**

**500-2000 kg**

**W141SE - W141 - W142 - W143**

CE

 Gru idrauliche

 Hydraulic cranes

 Hydraulische Kräne

 Grues hydrauliques

 Grúas hidráulicas



SE= Semplice effetto

**SE= Single action pump**


SE= Einfachwirkende Pumpe

SE= Pompe simple effet

SE= Acción simple


**W141SE**

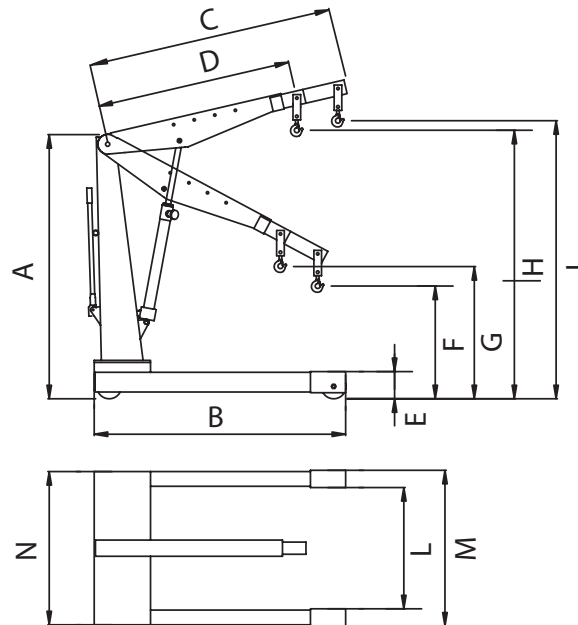
 Valvola limitatrice di carico • Comando tipo uomo presente • Stelo cromato

 Overload safety-valve • Dead man controls • Chromium plated rod

 Überlastsicherung • Totmann-Senkventil • Verchromte Kolbenstange

 Sécurité hydraulique en cas de surcharge • Commande de type "homme mort" • Tige chromée

 Válvula limitadora de carga • Mando de tipo hombre presente • Vástago cromado



### Dati tecnici

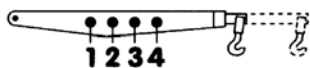
### Technical data

### Technische Eigenschaften

### Caractéristiques techniques

### Datos técnicos

|    | W140<br>W140SE | W141<br>W141/SE | W142 | W143 |
|----|----------------|-----------------|------|------|
| A  | 1620           | 1750            | 1840 | 1990 |
| B  | 1350           | 1560            | 1790 | 1970 |
| C  | 1300           | 1550            | 1850 | 1970 |
| D  | 1000           | 1250            | 1400 | 1520 |
| E  | 160            | 165             | 195  | 220  |
| F  | 520            | 620             | 430  | 520  |
| G  | 730            | 800             | 720  | 800  |
| H  | 2200           | 2520            | 2820 | 2930 |
| I  | 2400           | 2750            | 3220 | 3270 |
| L  | 780            | 920             | 880  | 980  |
| M  | 900            | 1050            | 1050 | 1120 |
| N  | 640            | 750             | 1000 | 1100 |
| kg | 65             | 100             | 180  | 220  |



| Kg | 1   | 2    | 3    | 4    |
|----|-----|------|------|------|
| 1  | 500 | 1000 | 1500 | 2000 |
| 2  | 400 | 800  | 1200 | 1500 |
| 3  | 350 | 650  | 800  | 1000 |
| 4  | 250 | 450  | 500  | 600  |

The company reserves the right to introduce improvements in design or specification without prior notice