

ARS 130

SOIL COMPACTOR

EU Stage IV / US EPA Tier 4 Final



EXCELLING WHEREVER IT GOES

The compact design of Ammann ARS Soil Compactors improves manoeuvrability and flexibility, making the machines exceptionally productive. Safety is maximised through a new cab design that provides operators with 360° visibility and an intuitive, conveniently located control display. The proprietary ACE^{force} Intelligent Compaction system, which offers absolute compaction measurement and optional documentation, improves efficiency and quality. The availability of a wider range of centrifugal forces make the machine a perfect fit for many applications and varied materials.

APPLICATIONS

- Medium and large jobsites
- Railways
- Harbours
- Motorways
- Structure backfill work
- Airfields
- Industrial zones
- Dumpsite construction

PRODUCTIVITY

- High compaction output - faster compaction of thicker layers in fewer passes
- No-rear-axle concept – optimal stability and low center of gravity, which significantly improves safety on jobsites
- Variable range of vibration frequencies for added versatility
- ACE^{force} Intelligent Compaction tool for higher compaction efficiency

ERGONOMICS

- Spacious, quiet cab with integrated ROPS structure
- New multifunctional display for intuitive machine control and operation
- Excellent machine visibility with 360° view to machine edges and surroundings
- Innovative travel lever with speed adjustment and wider machine speed range (newly 5+1 speed instead of 3+1)

SERVICEABILITY

- All service points and engine compartment accessible from the ground
- Wide-opening rear hood for easy and fast daily maintenance
- Tilttable cab for exceptional access to main hydraulic components, which significantly reduces labour
- ECOdrop – machine efficiency and reductions in fuel consumption and required fluids

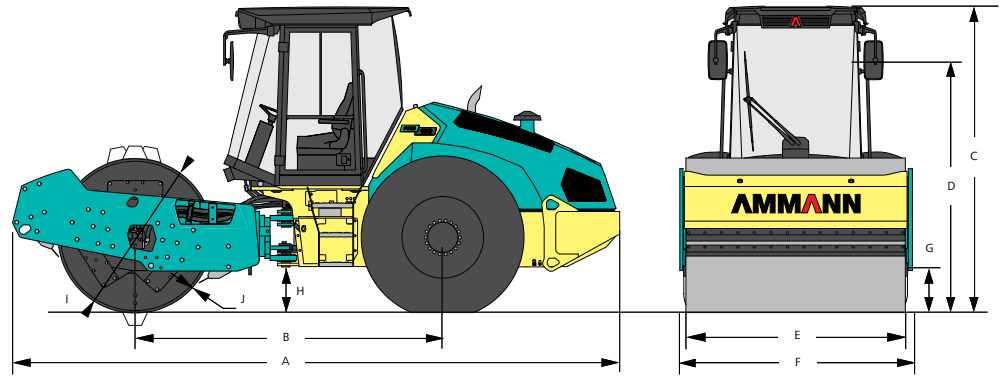
MAXIMUM RECOMMENDED COMPACTED LIFT THICKNESS AT OPTIMAL WORKING CONDITIONS

	Rockfill	Sand / Gravel	Mixed Soils	Silt	Clay
ARS 130	* 1000 mm (39 in)	* 700 mm (28 in)	* 600 mm (24 in)	450 mm (18 in)	270 mm (11 in)
ARS 130 (PD)	-	-	* 600 mm (24 in)	* 450 mm (18 in)	* 320 mm (13 in)

* Recommended drum type

AMMANN

TECHNICAL SPECIFICATIONS
ARS 130 SOIL COMPACTOR
EU Stage IV / US EPA Tier 4 Final



DIMENSIONS

A	MACHINE LENGTH	5900 mm (232.3 in)
B	WHEELBASE	2990 mm (117.7 in)
C	MACHINE HEIGHT	2970 mm (116.9 in)
D	MACHINE HEIGHT (REMOVED ROPS)	2200 mm (86.6 in)
E	DRUM WIDTH	2130 mm (83.9 in)
F	MACHINE WIDTH	2260 mm (89 in)
G	CURB CLEARANCE	400 mm (15.7 in)
H	GROUND CLEARANCE	430 mm (16.9 in)
I	DRUM DIAMETER	1500 mm (59.1 in)
J	DRUM THICKNESS	25 mm (1 in)

WEIGHT & OPERATING CHARACTERISTICS

	ARS 130	ARS 130 (PD)
OPERATING WEIGHT	12 580 kg (27 730 lb)	13 205 kg (29 110 lb)
MAXIMUM WEIGHT	15 335 kg (33 810 lb)	14 260 kg (33 810 lb)
STAT. LIN. LOAD OF FRONT DRUM	33.8 kg (189.3 lb)	-
PAD CONTACT SURFACE	-	120 cm ² (18.6 sq in)
PAD HEIGHT	-	100 mm (3.9 in)
MAX. TRANSPORT SPEED	12 km/h (7.5 MPH)	12 km/h (7.5 MPH)
MAX. WORKING SPEED	7.6 km/h (4.7 MPH)	7.6 km/h (4.7 MPH)
CLIMBING ABILITY WITHOUT / WITH VIBRATION	50% / 48%	52% / 50%
TURNING RADIUS (INNER)	3570 mm (140.6 in)	3570 mm (140.6 in)

STANDARD EQUIPMENT

- CE conformity
- Cab with ROPS structure
- Smooth drum with steel scrapers
- Multiple frequencies / 2 amplitudes vibration system
- External draining points
- Working headlights (front and rear)
- Inter wheel flow divider
- Ergonomic and suspended operator seat
- Multifunctional operator display

ENGINE

MANUFACTURER	Deutz TCD 3.6L4
POWER ACCORDING TO ISO 14396	100 kW (134 HP)
EXHAUST GAS AFTER-TREATMENT	DOC+SCR
	EU Stage IV / US EPA Tier 4 Final

COMPACTION FORCES

	ARS 130	ARS 130 (PD)
FREQUENCY I	31 Hz (1860 VPM)	31 Hz (1860 VPM)
FREQUENCY II	35 Hz (2100 VPM)	35 Hz (2100 VPM)
AMPLITUDE I	2.06 mm (0.081 in)	1.7 mm (0.067 in)
AMPLITUDE II	0.88 mm (0.035 in)	0.7 mm (0.028 in)
CENTRIFUGAL FORCE I	285 kN (64 070.6 lbf)	285 kN (64 070.6 lbf)
CENTRIFUGAL FORCE II	155 kN (34 845.4 lbf)	155 kN (34 845.4 lbf)

MISCELLANEOUS

BRAKES OPERATING	Hydrostatic
BRAKES PARKING	Multiple-disc spring brake
BRAKES EMERGENCY	Multiple-disc spring brake
FUEL TANK CAPACITY	345 l (91.1 gal)

OPTIONAL EQUIPMENT

- Air-conditioning (cab version only)
- Drum - PD version / steel scrapers
- Drum - PD shell kit / steel scrapers
- Smooth drum - vulcalon scrapers
- ACE^{force} - Ammann Compaction Expert
- HX drive
- ATC (Ammann Traction Control)
- Warning beacon
- Backup alarm