

# ARS 70

SOIL COMPACTOR  
EU Stage V / US EPA Tier 4 Final

## WHEN MANOEUVRABILITY MATTERS

The ARS 70, Ammann's smallest soil compactor, is one of the most manoeuvrable compactors on the market. It is 16 per cent shorter than the previous generation and features a tight turning radius of 2580 mm. The machine is extremely compact because of its innovative design, which efficiently positions the engine, coolers, liquid tanks and hydraulics in the engine compartment. The ARS 70 also features improved visibility, fuel efficiency and climbing ability.

## APPLICATIONS

- Small and medium jobsites
- Transport construction
- Municipal roads
- Local infrastructure
- Building construction
- Industrial developments
- Residential areas
- City centers

## PRODUCTIVITY

- High compaction output - faster compaction of thicker layers in fewer passes
- No-rear-axle concept – optimal stability and low center of gravity, which significantly improves safety on jobsites
- Variable range of vibration frequencies for added versatility
- ACE<sup>force</sup> Intelligent Compaction tool for higher compaction efficiency

## ERGONOMICS

- Spacious, quiet cab with integrated ROPS structure
- New multifunctional display for intuitive machine control and operation
- Excellent machine visibility with 360° view to machine edges and surroundings
- Innovative travel lever with speed adjustment and wider machine speed range (newly 5+1 speed instead of 3+1)

## SERVICEABILITY

- All service points and engine compartment accessible from the ground
- Wide-opening rear hood for easy and fast daily maintenance
- ECOdrop – machine efficiency and reductions in fuel consumption and required fluids

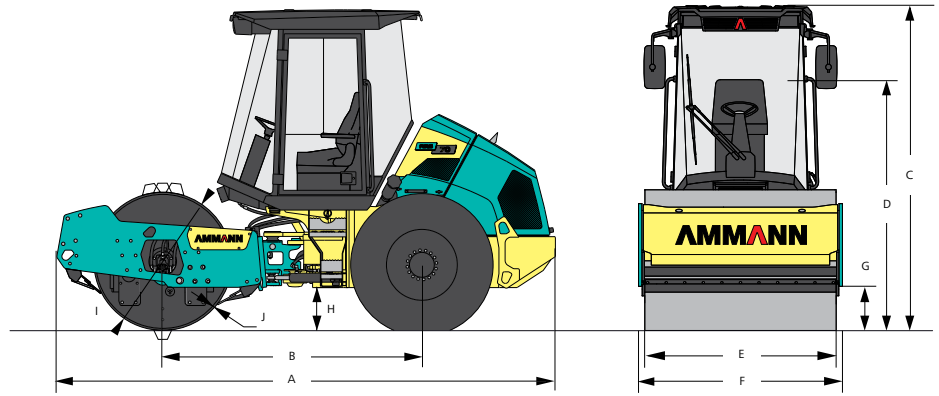
MAXIMUM RECOMMENDED COMPACTED LIFT THICKNESS AT OPTIMAL WORKING CONDITIONS

	Rockfill	Sand / Gravel	Mixed Soils	Silt	Clay
ARS 70	-	* 450 mm (18 in)	* 350 mm (14 in)	250 mm (10 in)	150 mm (6 in)
ARS 70 (PD)	-	-	* 350 mm (14 in)	* 250 mm (10 in)	*200 mm (8 in)

\* Recommended drum type

**AMMANN**

TECHNICAL SPECIFICATIONS  
ARS 70 SOIL COMPACTOR  
EU Stage V / US EPA Tier 4 Final



## DIMENSIONS

A	MACHINE LENGTH	4425 mm (174.4 in)
B	WHEELBASE	2300 mm (90.6 in)
C	MACHINE HEIGHT	2860 mm (112.6 in)
D	MACHINE HEIGHT (REMOVED ROPS)	2285 mm (90 in)
E	DRUM WIDTH	1680 mm (66.1 in)
F	MACHINE WIDTH	1790 mm (70.5 in)
G	CURB CLEARANCE	382 mm (15 in)
H	GROUND CLEARANCE	380 mm (15 in)
I	DRUM DIAMETER	1225 mm (48.2 in)
J	DRUM THICKNESS	18 mm (0.7 in)

## WEIGHT & OPERATING CHARACTERISTICS

	ARS 70	ARS 70 (PD)
OPERATING WEIGHT	6490 kg (14 310 lb)	6910 kg (15 230 lb)
MAXIMUM WEIGHT	8400 kg (18 520 lb)	8820 kg (19 440 lb)
STAT. LIN. LOAD OF FRONT DRUM	23.2 kg (129.9 lb)	-
PAD CONTACT SURFACE	-	82.5 cm <sup>2</sup> (12.8 sq in)
PAD HEIGHT	-	80 mm (3.1 in)
MAX. TRANSPORT SPEED	12 km/h (7.5 MPH)	12 km/h (7.5 MPH)
MAX. WORKING SPEED	6 km/h (3.7 MPH)	6 km/h (3.7 MPH)
CLIMBING ABILITY WITHOUT / WITH VIBRATION	59% / 54%	56% / 51%
TURNING RADIUS (INNER)	2580 mm (101.6 in)	2580 mm (101.6 in)

### STANDARD EQUIPMENT

- CE conformity
- Cab with ROPS structure
- Smooth drum with steel scrapers
- Multiple frequencies / 2 amplitudes vibration system
- External draining points
- Working headlights (front and rear)
- Ergonomic and suspended operator seat
- Multifunctional operator display

## ENGINE

MANUFACTURER	Kubota V3307-CR
POWER ACCORDING TO ISO 14396	55.4 kW (75 HP)
EXHAUST GAS AFTER-TREATMENT	DOC+DPF
	EU Stage V / US EPA Tier 4 final

## COMPACTION FORCES

	ARS 70	ARS 70 (PD)
FREQUENCY I	33 Hz (1980 VPM)	30 Hz (1800 VPM)
FREQUENCY II	36 Hz (2160 VPM)	36 Hz (2160 VPM)
AMPLITUDE I	1.65 mm (0.065 in)	1.6 mm (0.063 in)
AMPLITUDE II	0.7 mm (0.028 in)	0.7 mm (0.028 in)
CENTRIFUGAL FORCE I	135 kN (30 349.2 lbf)	146 kN (32 822.1 lbf)
CENTRIFUGAL FORCE II	73 kN (16 411.1 lbf)	96 kN (21 581.7 lbf)

## MISCELLANEOUS

BRAKES OPERATING	Hydrostatic
BRAKES PARKING	Multiple-disc spring brake
BRAKES EMERGENCY	Multiple-disc spring brake
FUEL TANK CAPACITY	130 l (34.34 gal)

### OPTIONAL EQUIPMENT

- Air-conditioning (cab version only)
- Drum - PD version / steel scrapers
- Drum - PD shell kit / steel scrapers
- Smooth drum - vulcalon scrapers
- ACE<sup>force</sup> - Ammann Compaction Expert
- Warning beacon
- Backup alarm
- HX drive