

A photograph of an Ammann ARX 16 Tandem Roller in operation. The machine is yellow and black, with the Ammann logo on the front. An operator wearing a yellow hard hat and a high-visibility green jacket is seated on the machine, steering it. The background shows a construction site with a power line tower and a street lamp.

# ARX 16

**LIGHT TANDEM VIBRATORY ROLLER**  
Tier 4f

## OBSTRUCTION AVOIDER

The Ammann ARX 16 Tandem Roller works flush against curbs and other obstructions and does so smoothly, thanks to an electronic drive lever. Double drive and double vibration are standard and help deliver optimum compaction results. Operator benefits include a rubber-mounted platform that limits vibration and an intuitive instrument panel that helps even inexperienced operators succeed. The ARX 16 is built with high quality, long-lasting components that reduce the cost of ownership over the lifetime of the machine.

## PRODUCTIVITY

### Electronic drive lever

Smooth start and stop important, especially on asphalt jobs

### Articulated joint with oscillation

Increased surface coverage and quality

### Sprinkling system

2-stage filtration system with large water tanks for extended intervals between fillings

## ERGONOMICS

### Operators platform design

Spacious operator platform

### Simple and reliable dashboard

Intuitive machine control, even with an unskilled operator

### Visibility

Perfect all-around machine visibility for safety on the jobsite

## SERVICEABILITY

### Design that enables daily maintenance

Easy and fast daily maintenance

### Accessible service and maintenance points

Machine serviced from ground, enabling comfort

### Maintenance free parts

Reduced risk of machine damage

## APPLICATIONS

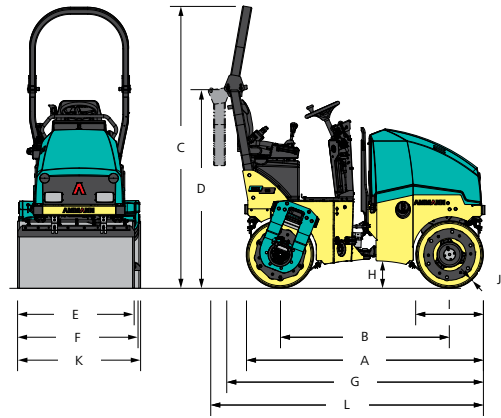
- Small and medium construction sites
- City roads
- Boardwalks
- Repair works in city centre

**AMMANN**

TECHNICAL SPECIFICATIONS  
ARX 16 LIGHT TANDEM VIBRATORY ROLLER

## DIMENSIONS

A	MACHINE LENGTH	2020 mm (79.5 in)
B	WHEELBASE	1440 mm (56.7 in)
C	MACHINE HEIGHT	2400 mm (94.5 in)
D	MACHINE HEIGHT (FOLDED ROPS)	1730 mm (68.1 in)
E	DRUM WIDTH	900 mm (35.4 in)
E	TIRE-AXLE WIDTH	-
F	MACHINE WIDTH	947 mm (37.3 in)
G	MACHINE LENGTH	2220 mm (87.4 in)
H	GROUND CLEARANCE	230 mm (9.1 in)
I	DRUM DIAMETER	580 mm (22.8 in)
J	DRUM SHELL THICKNESS	13 mm (0.5 in)
K	MACHINE WIDTH (TOTAL)	950 mm (37.4 in)
L	MACHINE LENGTH (FOLDED ROPS)	2330 mm (91.7 in)



## MISCELLANEOUS

BATTERY / CAPACITY	12/77 V/Ah
WATER TANK	110 l (29.1 gal)
HYDRAULIC SYSTEM	28.5 l (7.5 gal)
DIESEL FUEL TANK	24 l (6.3 gal)
WHEEL LOAD	-
NUMBER OF WHEELS	-
TIRE SIZE	-

## ENGINE

ENGINE TYPE	YANMAR 3TNV80F
EMMISSION CLASS	EU Stage 5 ready / EPA Tier 4f
POWER OUTPUT ISO 3046	14.6 kW / 20 HP
CYLINDER / LTR.	3 cyl / 1267 No./ccm
1. / 2. WORKING SPEED	2.100 / 2.400 rpm
TRAVEL SPEED KM/H	8.5 km/h (5.3 MPH)
GRADEABILITY WITH / WITHOUT VIBR.	30 % / 40 %

### STANDARD

- Front and rear vibration and drive
- Control system with emergency stop
- Pressurised pulse interval sprinkler system
- Ammann Vibration Control
- Central lifting hook
- 2 working frequencies
- Hydraulic test ports

## COMPACTION FORCES

AMPLITUDE	0.5 mm (0.02 in)
FREQUENCY AT 2100 / 2400 RPM	58/66 Hz (3480/3960 VPM)
CENTRIFUGAL FORCE – MAX.	23 kN (5170.6 lbf)

## WEIGHT & OPERATING CHARACTERISTICS

OPERATING WEIGHT CECE	1520 kg (3350 lb)
OPERATING WEIGHT MAX.	1700 kg (3750 lb)
STATIC LINEAR LOAD (FULL-FLUSH)	7.9/9 kg/cm (17.4/19.8 lb)
TURNING RADIUS INSIDE	2100 mm (82.7 in)
STEERING / OSCILLATING ANGLE	30/6 ±°
DRUM OFFSET	50 mm (1.97 in)



### OPTIONAL EQUIPMENT

- CE-Kit with folding ROPS and working lights
- Road lighting
- Canopy
- Asphalt thermometer
- Reverse alarm
- Battery disconnection switch
- Additional working lights (ROPS mounted)
- Arm rests
- Second drive-lever, left
- Edge-cutter incl. multi-function lever
- Bio-degradable hydraulic oil
- Drums in line
- Customer colour
- Warning beacon
- Weather canopy