

ARX 20

LIGHT TANDEM VIBRATORY ROLLER
Tier 4f



LIGHT AND ARTICULATED

The Ammann ARX 20 Tandem Roller is a light, articulated ride-on roller that delivers optimum compaction results through its double-drive and double-vibration systems.

The roller works flush against curbs and other obstructions to eliminate the need for special edge compaction efforts. The ARX 20 is built with high quality, long-lasting components that reduce the cost of ownership over the lifetime of the machine. It is reliable, economical, safe and fuel efficient.

PRODUCTIVITY

Electronic drive lever

Smooth start and stop important, especially on asphalt jobs

Articulated joint with oscillation

Increased surface coverage and quality

Sprinkling system

2-stage filtration system with large water tanks for extended intervals between fillings

ERGONOMICS

Operators platform design

Spacious operator platform

Simple and reliable dashboard

Intuitive machine control, even with an unskilled operator

Visibility

Perfect all-around machine visibility for safety on the jobsite

SERVICEABILITY

Design that enables daily maintenance

Easy and fast daily maintenance

Accessible service and maintenance points

Machine serviced from ground, enabling comfort

Maintenance free parts

Reduced risk of machine damage

APPLICATIONS

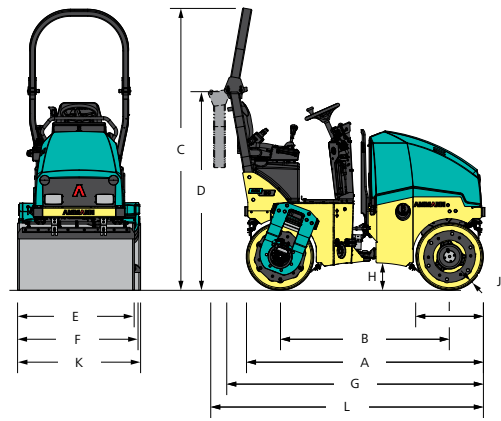
- Small and medium construction sites
- City roads
- Boardwalks
- Repair works in city centre

AMMANN

TECHNICAL SPECIFICATIONS
ARX 20 LIGHT TANDEM VIBRATORY ROLLER

DIMENSIONS

A	MACHINE LENGTH	2020 mm (79.5 in)
B	WHEELBASE	1440 mm (56.7 in)
C	MACHINE HEIGHT	2400 mm (94.5 in)
D	MACHINE HEIGHT (FOLDED ROPS)	1730 mm (68.1 in)
E	DRUM WIDTH	1000 mm (39.4 in)
E	TIRE-AXLE WIDTH	-
F	MACHINE WIDTH	1046 mm (41.2 in)
G	MACHINE LENGTH	2220 mm (87.4 in)
H	GROUND CLEARANCE	230 mm (9.1 in)
I	DRUM DIAMETER	580 mm (22.8 in)
J	DRUM SHELL THICKNESS	13 mm (0.5 in)
K	MACHINE WIDTH (TOTAL)	950 mm (37.4 in)
L	MACHINE LENGTH (FOLDED ROPS)	2330 mm (91.7 in)



MISCELLANEOUS

BATTERY / CAPACITY	12/77 V/Ah
WATER TANK	110 l (29.1 gal)
HYDRAULIC SYSTEM	28.5 l (7.5 gal)
DIESEL FUEL TANK	24 l (6.3 gal)
WHEEL LOAD	-
NUMBER OF WHEELS	-
TIRE SIZE	-

ENGINE

ENGINE TYPE	YANMAR 3TNV80F
EMMISSION CLASS	EU Stage 5 ready / EPA Tier 4f
POWER OUTPUT ISO 3046	14.6 kW / 20 HP
CYLINDER / LTR.	3 cyl / 1267 No./ccm
1. / 2. WORKING SPEED	2.100 / 2.400 rpm
TRAVEL SPEED KM/H	8.5 km/h (5.3 MPH)
GRADEABILITY WITH / WITHOUT VIBR.	30 % / 40 %

STANDARD

- Front and rear vibration and drive
- Control system with emergency stop
- Pressurised pulse interval sprinkler system
- Ammann Vibration Control
- Central lifting hook
- 2 working frequencies
- Hydraulic test ports

COMPACTION FORCES

AMPLITUDE	0.5 mm (0.02 in)
FREQUENCY AT 2100 / 2400 RPM	58/66 Hz (3480/3960 VPM)
CENTRIFUGAL FORCE – MAX.	24 kN (5395.4 lbf)

WEIGHT & OPERATING CHARACTERISTICS

OPERATING WEIGHT CECE	1550 kg (3420 lb)
OPERATING WEIGHT MAX.	1700 kg (3750 lb)
STATIC LINEAR LOAD (FULL-FLUSH)	7.3/8.2 kg/cm (16,1/18.1 lb)
TURNING RADIUS INSIDE	2100 mm (82.7 in)
STEERING / OSCILLATING ANGLE	30/6 ±°
DRUM OFFSET	50 mm (1.97 in)



OPTIONAL EQUIPMENT

- CE-Kit with folding ROPS and working lights
- Road lighting
- Canopy
- Asphalt thermometer
- Reverse alarm
- Battery disconnection switch
- Additional working lights (ROPS mounted)
- Arm rests
- Second drive-lever, left
- Edge-cutter incl. multi-function lever
- Bio-degradable hydraulic oil
- Drums in line
- Customer colour
- Warning beacon
- Weather canopy