

## C55-14 – C76

⇒ 5.5 – 7.6 m<sup>3</sup>/min

Product range DLT 0704

These proven and tested compressors stand out for their low fuel consumption and high efficiency. Thanks to a wide pressure range up to 14 bar, this compact compressor range is extremely versatile and meets many requirements of numerous applications. The compressors have enough storage capacity for two hammers, picks or any other pneumatic tools. Separate engine and compressor air filters guarantee a long service life. All of the service points are strategically located for easy access.

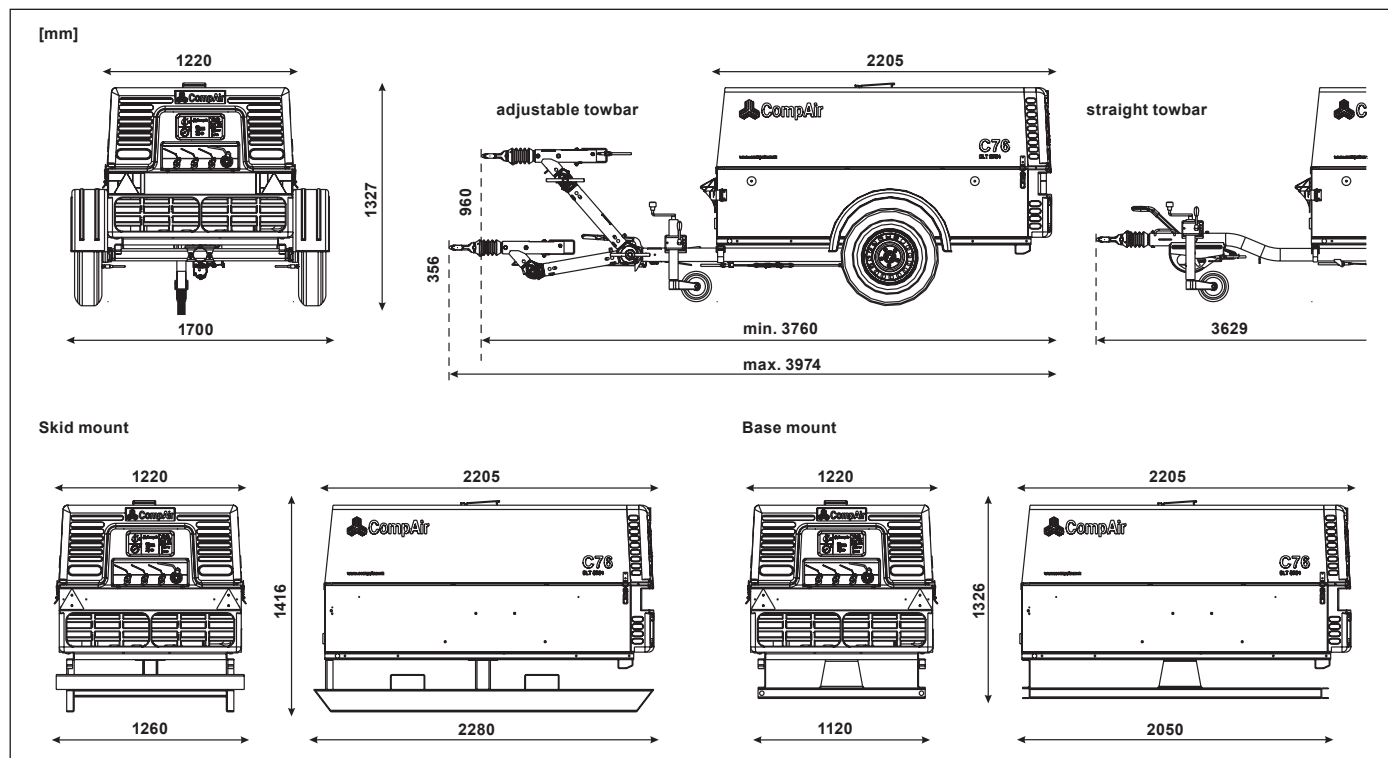


- ⇒ **Progressive volume flow regulation**  
engine speed and air intake regulation are automatically adapted to compressed air requirement
- ⇒ **Air end with spin-on oil filter cartridge**  
for quick and easy maintenance
- ⇒ **Transparent plastic fuel tank**  
allows direct visual level indication and quick contamination checks
- ⇒ **Central lifting eye**  
for easy handling by crane
- ⇒ **Operational reliability**  
designed for – 10 to + 50°C ambient temperature
- ⇒ **Compressor oil temperature regulating valve**  
ensures safe operation of compressor at low ambient temperatures or extreme partial load



### Portable-Control 2

- ⇒ **Fully protected digital display** with tamper proof hour counter
- ⇒ **Automatic protection in case of malfunction:**
  - Compressor temperature too high
  - Engine oil pressure too low
  - Engine temperature too high
  - Battery voltage too low
  - Fuel level too low
- ⇒ **Indication lamps** for automatic emergency stop in case of malfunction
- ⇒ **Start by rotary switch** to avoid loss of time caused by lost ignition key
- ⇒ **Internal main switch** avoids unauthorised operation



Product range		DLT 0704				
Type		C55-14	C60-12	C65-10	C65HS	C76
<b>Operational data</b>						
Volume flow <sup>1)</sup> (Optional 9 or 15 kVA Generator)	m <sup>3</sup> /min	5.5	6.0	6.5	6.5	7.6
Operating pressure	bar	14	12	10	7	7
Compressed air outlet		3 x 3/4" + 1 x 1 1/2"				
<b>Engine</b>						
Cummins B3.3 TAA						
Installed engine power	kW	63	63	63	63	63
Engine off load speed	1/min	1600	1600	1600	1600	1600
Engine full load speed	1/min	2600	2600	2600	2600	2600
Fuel tank capacity	l	140	140	140	140	140
<b>Operating weight<sup>2)</sup></b>						
<b>Portable compressor</b>	adjustable towbar braked	kg	1200	1200	1200	1200
	straight towbar braked	kg	1160	1160	1160	1160
<b>Base mount</b>	kg	1070	1070	1070	1070	1070
<b>Skid mount</b>	kg	1100	1100	1100	1100	1100
<b>Dimensions</b>						
Length	adjustable towbar braked	mm	3760–3974	3760–3974	3760–3974	3760–3974
	straight towbar braked	mm	3629	3629	3629	3629
Width	mm	1700	1700	1700	1700	1700
Height	mm	1440	1440	1440	1440	1440
Length of the canopy	mm	2205	2205	2205	2205	2205
<b>Sound level</b>						
Power sound level <sup>3)</sup>	dB(A) LWA	99	99	99	99	99
Pressure sound level <sup>4)</sup>	dB(A) LPA	71	71	71	71	71

<sup>1)</sup> Acc. to ISO 1217 Ed. 4 2009 Annex D    <sup>2)</sup> Operating weight without options    <sup>3)</sup> Legal limiting values of EC directive acc. to 2000/14/EC  
<sup>4)</sup> Noise level acc. to PNEUROP PN8NTC2.2 at 7 m

**AirPlus**  
 AirPlus options on fold out page →