

## C10-12 – C14

⇒ 1.0 to 1.4 m<sup>3</sup>/min

Product range DLT 0101

C10-12 – C14 is a powerful alternative to electrical tools. Small, compact and lightweight, at only 142 kg weight with 1.0–1.4 m<sup>3</sup>/min at 7–12 bar. Perfect for a wide-range of repair and installation jobs.

⇒ **Honda GX 610V**  
air cooled petrol engine



⇒ **Manual and electric start**

with two starting options as standard, these compressors are easy to use in all conditions

## C20 – C30

⇒ 2.0 to 3.0 m<sup>3</sup>/min

Product range DLT 0206

This range has the output to run up to two breakers and are driven by quiet-running energy efficient Kubota engines. With the benefit of a wide engine speed range, fuel savings are increased and the engine reliability and life time are enhanced. The various applications of these compressors can be further enhanced by integrated generators, which can supply power for the site, lighting and electrical tools. With an operating weight of less than 500 kg (unbraked) the compressor can be transported by small vehicles.

⇒ **Kubota D1105/D1505**  
reliable, energy efficient diesel engine

⇒ **Soft start**  
extends the engine life time by reducing engine stress during start-up and allowing the engine to reach running temperature with the compressor unloaded

⇒ **Robust plastic protection**  
protects the control panel and lighting elements



⇒ **Bolted single sheets**

the steel canopy is mass galvanised and electrostatically coated, offering excellent protection against damage and corrosion. With bolted single sheets, exchange is both quick and easy

⇒ **Easy access hinged hood**

with two robust gas struts, the hood is light and easy to open, offering excellent accessibility for easy maintenance

⇒ **Transparent plastic fuel tank**

extremely robust, the plastic fuel tank allows direct visual level indication and contamination checks to be carried out in seconds

⇒ **Progressive volume flow regulation**  
engine speed and air intake regulation are automatically adapted to compressed air requirement

⇒ **Air end with spin-on oil filter cartridge**  
for quick and easy maintenance

⇒ **Internal main switch board**  
to avoid unauthorised operation

⇒ **Central lifting eye**  
for easy handling by crane

⇒ **Operational reliability**  
designed for – 10 to + 50° C ambient temperature

**Portable-Control 1**

⇒ **Fully protected digital display**  
with tamper proof hour counter

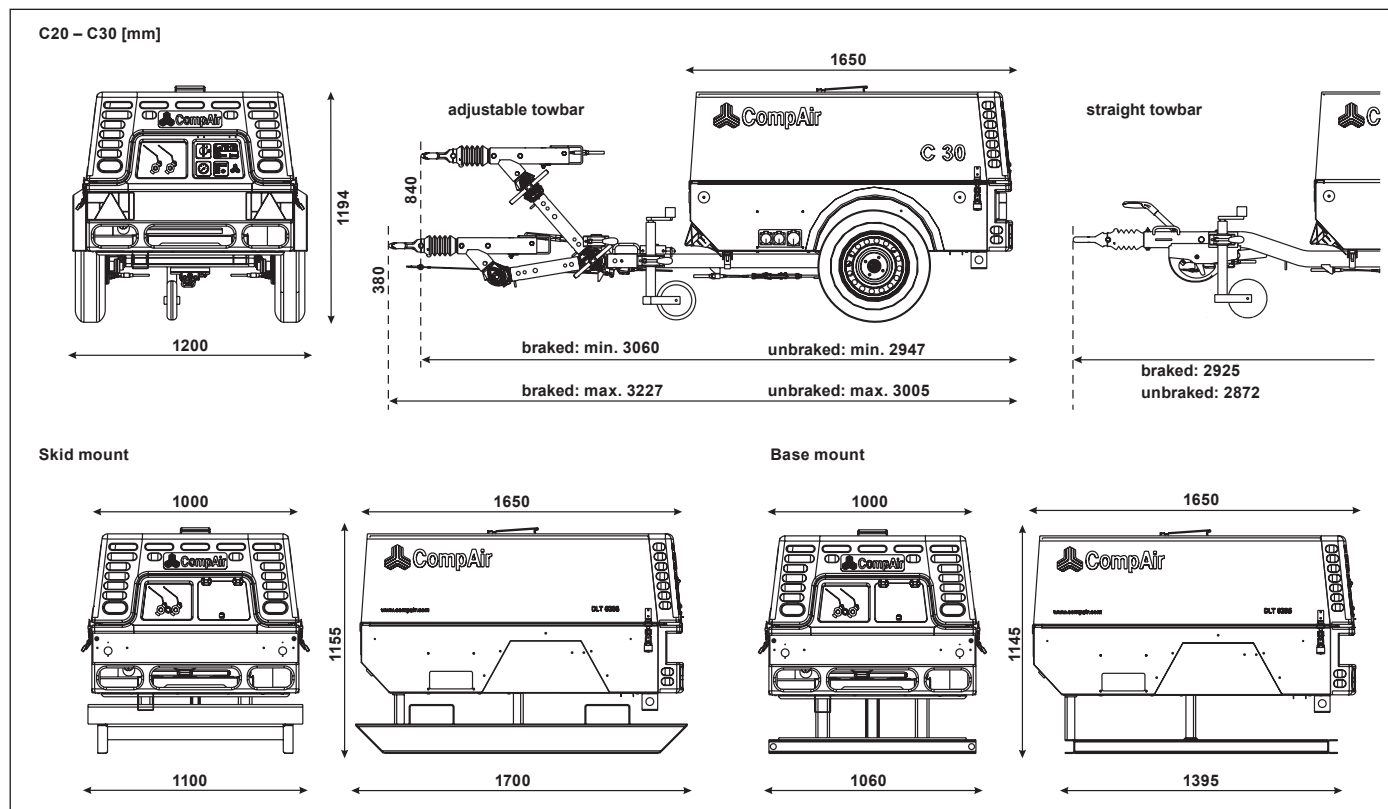
⇒ **Automatic protection in case of malfunction:**

- Compressor temperature too high
- Engine oil pressure too low
- Engine temperature too high
- Battery voltage too low
- Fuel level too low

⇒ **Indication lamps** for automatic emergency stop in case of malfunction.

⇒ **Start by rotary switch** to avoid loss of time caused by lost ignition key.





AirPlus options on fold out page →

Product range	DLT 0101			DLT 0206							
	C10-12	C12-10	C14	C20	C20GS	C25	C25-10	C30	C30G		
<b>Operational data</b>											
Volume flow <sup>1)</sup>	m <sup>3</sup> /min	1.0	1.2	1.4	2.0	2.0 <sup>2)</sup>	2.5	2.5	3.0	3.0 <sup>2)</sup>	
Operating pressure	bar	12	10	7	7	7	7	10	7	7	
Compressed air outlets		1 x 3/4"			2 x 3/4"						
<b>Engine</b>		Honda GX610V-Twin			Kubota D1105	Kubota D1505	Kubota D1105	Kubota D1505			
Installed engine power	kW	13.2	13.2	13.2	16.3	23.1	19.4	23.1	23.1	23.1	
Engine off load speed	1/min	2200	2200	2200	2000	2000	2000	2000	2000	2000	
Engine full load speed	1/min	2900	2900	2900	2600	2600	2600	2600	2600	2600	
Fuel tank capacity	l	20	20	20	40	40	40	40	40	40	
<b>Operating weight<sup>3)</sup></b>											
<b>Portable compressor</b>	manually transportable	kg	160	160	160	–	–	–	–	–	
	adjustable towbar braked	kg	–	–	–	580	658	586	610	610	658
	adjustable towbar unbraked	kg	–	–	–	539	617	545	570	570	617
	straight towbar braked	kg	–	–	–	558	636	564	588	588	636
	straight towbar unbraked	kg	–	–	–	528	606	534	558	558	606
<b>Base mount</b>	kg	–	–	–	458	535	463	485	485	535	
<b>Skid mount</b>	kg	–	–	–	498	575	503	525	525	575	
<b>Dimensions</b>											
Length	adjustable towbar braked	mm	–	–	–	3169–3227	3169–3227	3169–3227	3169–3227	3169–3227	3169–3227
	straight towbar braked	mm	–	–	–	2925	2925	2925	2925	2925	2925
Width	mm	700	700	700	1200	1200	1200	1200	1200	1200	
Height	mm	630	630	630	1194	1194	1194	1194	1194	1194	
Length of canopy	mm	1010	1010	1010	1650	1650	1650	1650	1650	1650	
<b>Sound level</b>											
Power sound level <sup>4)</sup>	dB(A) LWA	97	97	97	97	98	98	98	98	98	
Pressure sound level <sup>5)</sup>	dB(A) LPA	69	69	69	69	69	69	69	69	69	

<sup>1)</sup> Acc. to ISO 1217 Ed. 4 2009 Annex D

<sup>2)</sup> 9 kVA generator (C20GS max. 6 kVA)

<sup>3)</sup> Operating weight without options

<sup>4)</sup> Legal limiting values of EC directive acc. to 2000/14/EC

<sup>5)</sup> Noise level acc. to PNEUROP PN8NTC2.2 at 7 m