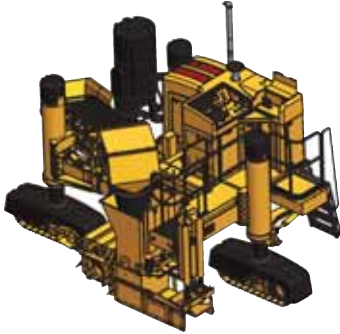


GT-3600



- Slipforms a 610 millimeter radius.
- Three hydraulically powered, gear-driven crawler tracks, 1.6 meters long.
- Operational speed up to 13 meters per minute and 38 meters per minute for job-site mobility.
- Hook-and-Go mold mount system for quick and easy mold changes.
- All-track steer (ATS) saves time getting on and off stringline, job-site mobility, and loading for transport. The ability to steer all of the tracks allows accurate steering around tight radii.
- All-track positioning (ATP) allows the legs to be positioned for more stability and for clearance of obstacles. Telescoping right-front leg, power-swing left-front leg, and power-slide rear leg for positioning.
- Exclusive “smart” steering cylinders, used for dependable steering control feedback for push-button steering setup, setting parameters.
- Powered by a 73.9 kilowatt diesel engine.
- Exclusive control system featuring self-diagnostics for grade and steering cross-slope and selective steer controls for paving accuracy and ease of operation.
- Charging conveyor, 4.57 meter length, and 610 millimeter width, hydraulically powered, reversible with charging hopper provides increased production.
- Sideshifting trimmerhead with 1219 millimeters of hydraulic sideshift, 305 millimeters of hydraulic vertical adjustment and 152 millimeters of manual vertical adjustment, allowing up to 457 millimeters of vertical adjustment.
- Transports at 2.5 meter width, 5.3 meter length, and 2.5 meter height.
- Multi-application with curb and gutter, sidewalk, recreational trail, barrier wall, bridge safety parapet, and paving up to three meters wide.