

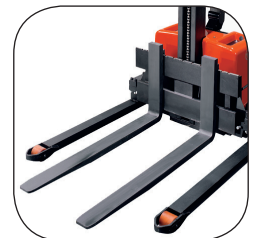
Pedestrian stacker truck 1.0 ton

BT staxio

W-series

HWE100

HWE100S



Pedestrian stacker truck

Specification for stacker trucks					HWE100	HWE100S
Identification	1.1	Manufacturer			BT	BT
	1.2	Model			HWE100	HWE100S
	1.3	Drive			Electric	Electric
	1.4	Operator type			Pedestrian	Pedestrian
	1.5	Load capacity/rated load	Q	kg	1000	1000
	1.6	Load centre	c	mm	600	600
	1.8	Load distance, centre of support arm wheel to face of forks	x	mm	805	800
	1.9	Wheelbase	y	mm	1172	1210
Weight	2.1	Service weight		kg	420	560
	2.2	Axle load, with load, drive/castor/fork wheel		kg	360/70/500	580/—/515
	2.3	Axle load, without load, drive/castor/fork wheel		kg	210/70/60	400/—/80
Wheels	3.1	Drive/castor/fork wheel			Tractothan/PU/PU	Tractothan/PU/PU
	3.2	Wheel size, front		mm	Ø250x60	Ø250x60
	3.3	Wheel size, rear		mm	Ø85	Ø85
	3.4	Additional wheels (dimensions)		mm	Ø100x40	—
	3.5	Wheels, number front/rear (x=driven wheels)			2-1x/2	2-1x/2
	3.6	Track width, front	b ₁₀	mm	480	480
	3.7	Track width, rear	b ₁₁	mm	364	1000—1400
Dimensions	4.2	Height, mast lowered	h ₁	mm	1890	1890
	4.4	Lift	h ₃	mm	1495	1500
		Lift height	h ₂₃	mm	1580	1540
	4.5	Height, mast extended	h ₄	mm	2040	2040
	4.9	Height of tiller in drive position, min./max.	h ₁₄	mm	1300	1300
	4.15	Height, fork lowered	h ₁₃	mm	85	40
	4.19	Overall length	l ₁	mm	1530	1680
	4.20	Length to face of forks	l ₂	mm	530	530
	4.21	Overall width	b ₁ /b ₂	mm	700 ^{1)/} —	700/1100—1500
	4.22	Fork dimensions	s/e/l	mm	60/156/1000,1150	40/100/1150
	4.25	Width over forks	b ₅	mm	536/550/685	250—800
	4.26	Distance between support arms	b ₄	mm	—	900—1300
	4.27	Support arm width	b ₁₄	mm	—	100
	4.32	Ground clearance, centre of wheelbase	m ₁	mm	26	26
4.34	Aisle width for pallets 800x1200 lengthways	A _{st}	mm	2100	2130	
4.35	Turning radius	W _a	mm	1340	1365	
Performance data	5.1	Travel speed, with/without load		km/h	4,3/5,4	4,3/5,4
	5.2	Lift speed, with/without load		m/s	0,12/0,22	0,10/0,19
	5.3	Lowering speed, with/without load		m/s	0,15/0,14	0,15/0,14
	5.8	Max. gradeability, with/without load		%	5/10 ²⁾	5/10 ²⁾
	5.10	Service brake			Electromagnetic	Electromagnetic
Electric motor	6.1	Drive motor rating S2 60 min		kW	0,5	0,5
	6.2	Lift motor rating at S3 5%		kW	1,4	1,4
	6.4	Battery voltage/nominal capacity K _s		V/Ah	2x12/63	2x12/63
	6.5	Battery weight		kg	2x23	2x23
	Others	8.1	Type of drive control			Transistor, stepless
8.4		Sound level at the driver's ear according to EN 12 053		dB(A)	66	66

1) For b₅ = 685 mm, the width of the fork carriage is 790 mm.

2) Measured according to company standard.

All data are based on table configuration. Other configurations may give other values.

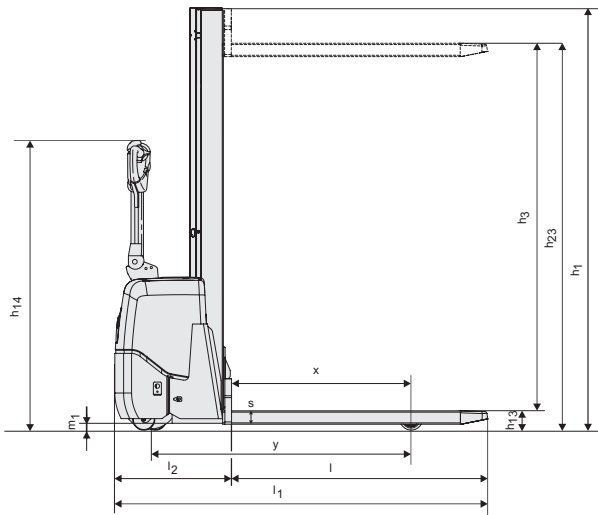
Truck performance and dimensions are nominal and subject to tolerances.

Specifications are subject to change without notice.

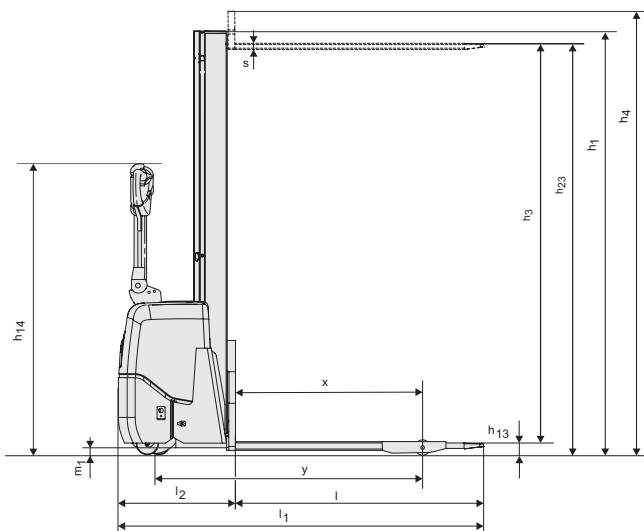
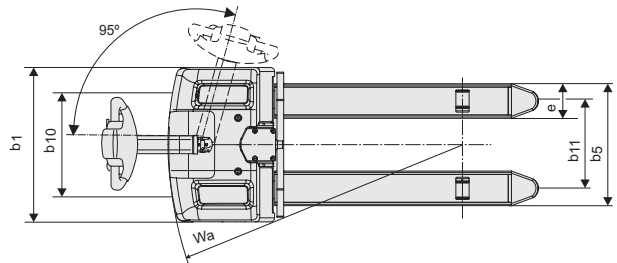
Mast dimensions

BT staxio

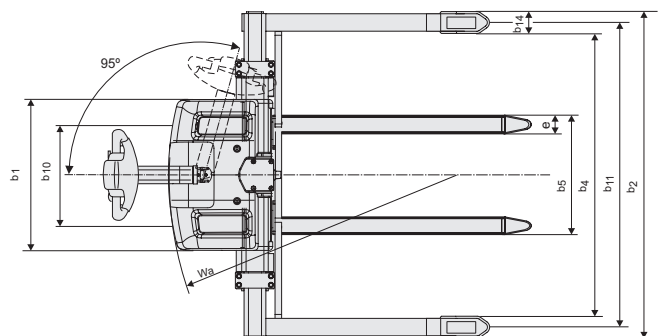
Model			HWE100		HWE100S	
h_{23}	Lift height ($h_{13}+h_3$)	mm	1580	2000	1540	1960
h_3	Lift	mm	1495	1915	1500	1920
h_1	Height, mast lowered	mm	1890	2310	1890	2310
h_4	Height, mast extended	mm	—	—	2040	2460



HWE100



HWE100S



Truck features:

- Compact and easy to manoeuvre
- Castor link system
- Maintenance free batteries
- Built in charger

