

# Pedestrian stacker truck 1.2 ton

## BT staxio SWE120S



# Pedestrian stacker straddle version

| Specification for stacker trucks |   |   |                                  |      | SWE120S                    |
|----------------------------------|---|---|----------------------------------|------|----------------------------|
| Identification                   | 1.1   | Manufacturer  |                                  |      | BT                         |
|                                  | 1.2   | Model   |                                  |      | SWE120S                    |
|                                  | 1.3   | Drive   |                                  |      | Electric                   |
|                                  | 1.4   | Operator type   |                                  |      | Pedestrian                 |
|                                  | 1.5   | Load capacity/rated load                                    | Q                                | kg   | 1200                       |
|                                  | 1.6   | Load centre   | c                                | mm   | 600                        |
|                                  | 1.8   | Load distance, centre of support arm wheel to face of forks | x                                | mm   | 569                        |
|                                  | 1.9   | Wheelbase   | y                                | mm   | 1203                       |
|                                  | Weight                                      | 2.1   | Service weight including battery |      | kg                         |
| 2.2                              |   | Axle load, with load, drive/support arm wheel               |                                  | kg   | 635/1580                   |
| 2.3                              |   | Axle load, without load, drive/support arm wheel            |                                  | kg   | 675/340                    |
| Wheels                           | 3.1   | Drive/support arm wheel                                     |                                  |      | Powerfriction/Vulkollan *) |
|                                  | 3.2   | Wheel size, front   |                                  | mm   | Ø230x70                    |
|                                  | 3.3   | Wheel size, rear  |                                  | mm   | Ø100x73                    |
|                                  | 3.5   | Wheels, number front/rear (x=driven wheels)                 |                                  |      | 1x/2                       |
|                                  | 3.7   | Track width, rear   | b <sub>10</sub>                  | mm   | 1000                       |
| Dimensions                       | 4.2   | Height, mast lowered  | h <sub>1</sub>                   | mm   | 1832 *)                    |
|                                  | 4.3   | Free lift   | h <sub>2</sub>                   | mm   | 1380 *)                    |
|                                  | 4.4   | Lift  | h <sub>3</sub>                   | mm   | 2655 *)                    |
|                                  |   | Lift height   | h <sub>23</sub>                  | mm   | 2655 *)                    |
|                                  | 4.5   | Height, mast extended                                       | h <sub>4</sub>                   | mm   | 3226 *)                    |
|                                  | 4.8   | Stand height (optional platform)                            | h <sub>7</sub>                   | mm   | 150                        |
|                                  | 4.9   | Height of tiller in drive position, min./max.               | h <sub>14</sub>                  | mm   | 865/1235                   |
|                                  | 4.10  | Height of support arm                                       | h <sub>10</sub>                  | mm   | 100                        |
|                                  | 4.15  | Height, fork lowered  | h <sub>13</sub>                  | mm   | 50                         |
|                                  | 4.19  | Overall length  | l <sub>1</sub>                   | mm   | 1946                       |
|                                  | 4.20  | Length to face of forks                                     | l <sub>2</sub>                   | mm   | 784                        |
|                                  | 4.21  | Overall width   | b <sub>1</sub> /b <sub>2</sub>   | mm   | 770/1100 *)                |
|                                  | 4.22  | Fork dimensions   | s/e/l                            | mm   | 40/100/1150 *)             |
|                                  | 4.24  | Fork-carriage width   | b <sub>3</sub>                   | mm   | 840                        |
|                                  | 4.25  | Width over forks  | b <sub>5</sub>                   | mm   | 252—800                    |
|                                  | 4.26  | Distance between support arms                               | b <sub>4</sub>                   | mm   | 900 *)                     |
|                                  | 4.31  | Ground clearance, with load, below mast                     | m <sub>1</sub>                   | mm   | 32                         |
|                                  | 4.32  | Ground clearance, centre of wheelbase                       | m <sub>2</sub>                   | mm   | 40                         |
| 4.33                             | Aisle width for pallets 1000x1200 crossways | A <sub>st</sub>   | mm                               | 2292 |                            |
| 4.34                             | Aisle width for pallets 800x1200 lengthways | A <sub>st</sub>   | mm                               | 2300 |                            |
| 4.35                             | Turning radius                              | W <sub>a</sub>  | mm                               | 1353 |                            |
| Performance data                 | 5.1   | Travel speed, with/without load                             |                                  | km/h | 6/6                        |
|                                  | 5.2   | Lift speed, with/without load                               |                                  | m/s  | 0.11/0.21                  |
|                                  | 5.3   | Lowering speed, with/without load                           |                                  | m/s  | 0.33/0.24                  |
|                                  | 5.8   | Max. gradeability, with/without load                        |                                  | %    | 8/10 <sup>1)</sup>         |
|                                  | 5.10  | Service brake   |                                  |      | Electromagnetic            |
| Electric motor                   | 6.1   | Drive motor rating S2 60 min                                |                                  | kW   | 1.0                        |
|                                  | 6.2   | Lift motor rating at S3 15%                                 |                                  | kW   | 2.2 <sup>2)</sup>          |
|                                  | 6.4   | Battery voltage/nominal capacity K <sub>s</sub>             |                                  | V/Ah | 24/225 *)                  |
|                                  | 6.5   | Battery weight  |                                  | kg   | 219 *)                     |
|                                  | Others                                      | 8.1   | Type of drive control            |      |                            |

<sup>1)</sup> Measured according to company standard

<sup>2)</sup> S3 6%

\*) Further alternatives are available and will produce other values.

Data is based on standard configurations: Medium battery compartment, h<sub>23</sub> = 2655 mm Duplex HiLo mast.

Truck performance and dimensions are nominal and subject to tolerances. BT Products AB products and specifications are subject to change without notice.

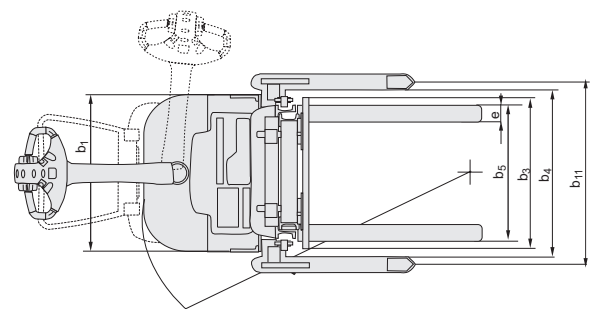
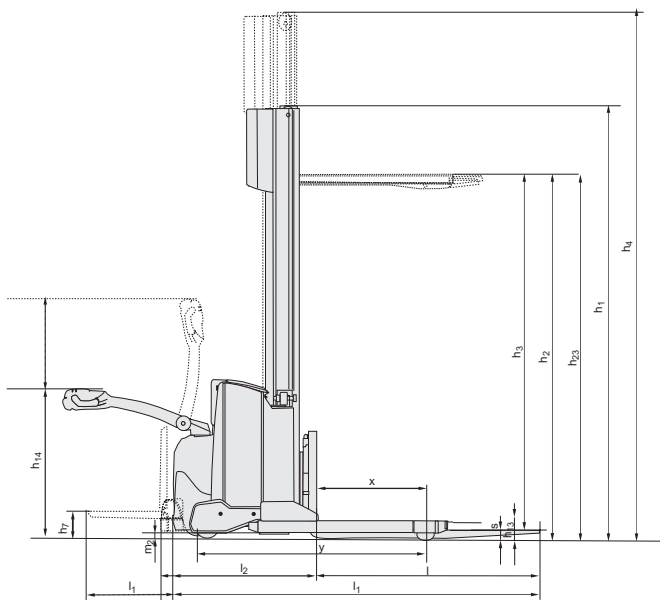
# Battery dependent dimensions

# BT staxio

| Dimensions |  | Battery Compartment |      | SWE120S   |           |
|------------|--|---------------------|------|-----------|-----------|
|            |  |                     |      | Medium    | Large     |
| 1.9        | Wheelbase  | y                   | mm   | 1203      | 1253      |
| 4.19       | Overall length                                   | l <sub>1</sub>      | mm   | 1946      | 1996      |
|            | without platform                                 |                     | mm   |           |           |
|            | with platform up/down                            |                     | mm   | 2031/2421 | 2081/2471 |
| 4.20       | Length to face of forks                          | l <sub>2</sub>      | mm   | 784       | 834       |
|            | without platform                                 |                     | mm   | 869/1259  | 919/1309  |
| 4.33       | Aisle width for pallets 1000x1200 crossways      | A <sub>st</sub>     | mm   | 2292      | 2342      |
|            | without platform                                 |                     | mm   | 2377/2777 | 2427/2827 |
| 4.34       | Aisle width for pallets 800x1200 lengthways      | A <sub>st</sub>     | mm   | 2300      | 2350      |
|            | without platform                                 |                     | mm   | 2385/2785 | 2435/2835 |
| 4.35       | Turning radius                                   | W <sub>a</sub>      | mm   | 1353      | 1403      |
|            | without platform                                 |                     | mm   | 1438/1838 | 1488/1888 |
| 6.4        | Battery voltage, nominal capacity K <sub>s</sub> |                     | V/Ah | 24/225    | 24/300    |
| 6.5        | Battery weight, min.—max.                        |                     | kg   | 189—250   | 230—280   |

## Mast dimensions

| SWE120S         |  | Simplex | Duplex Tele |      |      |      | Dupl. Tele Panoram. View |      |      |      |      | Duplex HiLo |      |      |      |      | Triplex HiLo |      |      |      |      |      |      |      |
|-----------------|--|---------|-------------|------|------|------|--------------------------|------|------|------|------|-------------|------|------|------|------|--------------|------|------|------|------|------|------|------|
| h <sub>23</sub> | Lift height (h <sub>13</sub> +h <sub>3</sub> ) | mm      | 1355        | 1655 | 2655 | 2855 | 3255                     | 3655 | 4105 | 2655 | 2855 | 3255        | 3655 | 4105 | 2655 | 2855 | 3255         | 3655 | 4105 | 3255 | 3655 | 4105 | 4455 | 4755 |
| h <sub>3</sub>  | Lift   | mm      | 1305        | 1605 | 2605 | 2805 | 3205                     | 3605 | 4005 | 2605 | 2805 | 3205        | 3605 | 4005 | 2605 | 2805 | 3205         | 3605 | 4005 | 3205 | 3605 | 4005 | 4405 | 4705 |
| h <sub>1</sub>  | Height, mast lowered                           | mm      | 1822        | 2122 | 1837 | 1937 | 2137                     | 2337 | 2562 | 1832 | 1932 | 2132        | 2332 | 2557 | 1832 | 1932 | 2132         | 2332 | 2557 | 1692 | 1826 | 1976 | 2092 | 2192 |
| h <sub>2</sub>  | Free lift, ground to top of forks              | mm      | 1355        | 1655 | 126  | 126  | 126                      | 126  | 126  | 126  | 126  | 126         | 126  | 126  | 1380 | 1480 | 1680         | 1880 | 2104 | 1230 | 1364 | 1514 | 1630 | 1730 |
| h <sub>4</sub>  | Height, mast extended                          | mm      | 1901        | 2201 | 3205 | 3405 | 3805                     | 4205 | 4655 | 3205 | 3405 | 3805        | 4205 | 4655 | 3226 | 3426 | 3826         | 4226 | 4676 | 3822 | 4224 | 4674 | 5022 | 5322 |



---

## Truck features:

- BT Powerdrive System
- Fingertip controls
- Electronic braking system
- Electronic speed control
- Operator safety
- Storage compartments
- Automatic switch-off
- Click-2-creep
- Programmable performance
- Easy access for maintenance
- Built in charger (option)
- Sensilift (option)
- Flip-up operator platform (option)
- Toyota I\_site: truck fleet management system (option)
- Hydraulic oil for low temperatures (option)

