

# Pedestrian stacker truck 1.4 ton



**BT staxio**

*W-series*

**SWE140S**



# Pedestrian stacker straddle version

Specification for stacker trucks					SWE140S
Identification	1.1	Manufacturer			BT
	1.2	Model			SWE140S
	1.3	Drive			Electric
	1.4	Operator type			Stand on/pedestrian
	1.5	Load capacity/rated load	Q	kg	1400
	1.6	Load centre	c	mm	600
	1.8	Load distance, centre of support arm wheel to face of forks	x	mm	758
	1.9	Wheelbase	y	mm	1443
	Weight	2.1	Service weight including battery		kg
2.2		Axle load, with load, drive/support arm wheel		kg	510/625/1774
2.3		Axle load, without load, drive/support arm wheel		kg	360/630/519
Wheels	3.1	Drive/support arm wheel			Vulkollan®/Polyurethane/Vulkollan®
	3.2	Wheel size, front		mm	Ø 140
	3.3	Wheel size, rear		mm	Ø 230
	3.4	Additional wheel size		mm	Ø 125
	3.5	Wheels, number front/rear (x=driven wheels)			1x + 2 / 2
	3.6	Track width, front	b <sub>10</sub>	mm	585
	3.7	Track width, rear	b <sub>11</sub>	mm	985
Dimensions	4.2	Height, mast lowered	h <sub>1</sub>	mm	1946
	4.3	Free lift	h <sub>2</sub>	mm	1666
	4.4	Lift	h <sub>3</sub>	mm	4060
		Lift height	h <sub>23</sub>	mm	4150
	4.5	Height, mast extended	h <sub>4</sub>	mm	5056
	4.9	Height of tiller in drive position, min./max. pedestrian	h <sub>14</sub>	mm	869/1294
	4.15	Height, fork lowered	h <sub>13</sub>	mm	85
	4.19	Overall length	l <sub>1</sub>	mm	2041
	4.20	Length to face of forks, without platform	l <sub>2</sub>	mm	891
	4.21	Overall width	b <sub>1</sub> / b <sub>2</sub>	mm	790/1172*
	4.22	Fork dimensions	s/e/l	mm	78/180/1150
	4.25	Width over forks	b <sub>5</sub>	mm	550
	4.26	Distance between support arms	b <sub>4</sub>	mm	900*
	4.32	Ground clearance, centre of wheelbase	m <sub>2</sub>	mm	38
	4.33	Aisle width for pallets 1000x1200 crossways	A <sub>st</sub>	mm	3097
4.34	Aisle width for pallets 800x1200 lengthways	A <sub>st</sub>	mm	3065	
4.35	Turning radius	W <sub>a</sub>	mm	1600	
Performance data	5.1	Travel speed, with/without load		km/h	6,0/6,0
	5.2	Lift speed, with/without load		m/s	0,17/0,33
	5.3	Lowering speed, with/without load		m/s	0,45/0,45
	5.8	Max. gradeability, with/without load <sup>1)</sup>		%	8/12
	5.10	Service brake			Electromagnetic
Electric motor	6.1	Drive motor rating (S2 60min)			1,8
	6.2	Lift motor rating (S3 15%)		kW	3
	6.4	Battery voltage, nominal capacity K5		V/Ah	24/300
	6.5	Battery weight		kg	195-270
	6.6	Energy consumption acc to VDI cycle		kWh/h	1,078
	Others	8.1	Type of drive control		
8.4		Sound level at the driver's ear according to EN 12 053		dB (A)	66

1) Measured according to company standard.

\*) Further alternatives are available and will produce other values.

Data is based on standard truck and small battery.

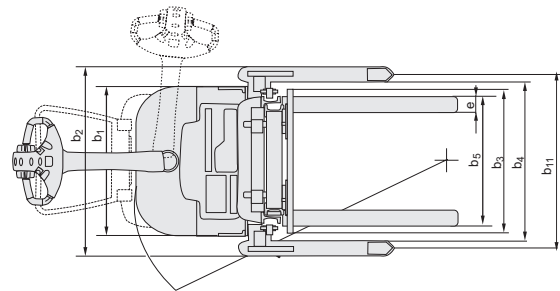
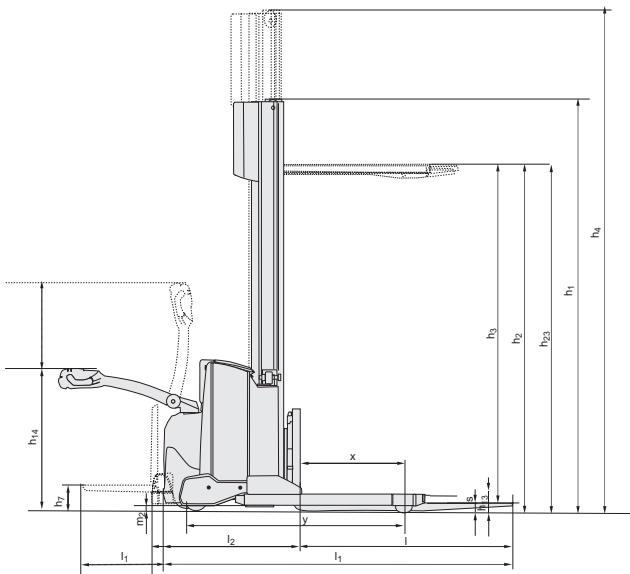
All data are based on table configuration. Other configurations may give other values. Truck performance and dimensions are nominal and subject to tolerances. BT products and specifications are subject to change without notice.

# Battery dependent dimensions

Dimensions				SWE140S			
				Battery		Lift out	
						S	L
1.9	Wheelbase	y	mm	1443	1540		
4.19	Overall length	$l_1$	mm	2041	2138		
4.20	Length to face of forks, without platform	$l_2$	mm	891	988		
4.33	Aisle width for pallets 1000x1200 crossways	$A_{st}$	mm	3097	3195		
4.34	Aisle width for pallets 800x1200 lengthways	$A_{st}$	mm	3065	3163		
4.35	Turning radius	$W_a$	mm	1600	1698		
6.4	Battery voltage, nominal capacity $K_5$		V/Ah	24/300	24/500		
6.5	Battery weight, min.—max.		kg	195-270	345-403		

# Mast dimensions

Mast			Duplex Tele Panoramic View					Duplex HiLo					Triplex HiLo							
SWE140S	$h_{23}$	Lift height ( $h_{13}+h_3$ )	mm	2350	2800	3300	3700	4150	2350	2500	2800	3300	3700	4150	3700	3950	4150	4500	4800	5400
	$h_3$	Lift	mm	2260	2710	3210	3610	4060	2260	2410	2710	3210	3610	4060	3610	3860	4060	4410	4710	5310
	$h_1$	Height, mast lowered	mm	1652	1877	2127	2327	2552	1652	1727	1877	2127	2327	2552	1796	1879	1946	2062	2162	2362
	$h_2$	Free lift, ground to top of forks	mm	—	—	—	—	—	1354	1430	1580	1830	2030	2254	1516	1598	1666	1782	1882	2082
	$h_4$	Height, mast extended	mm	2892	3342	3842	4242	4692	2891	3041	3341	3841	4241	4691	4218	4467	4668	5016	5316	5916



---

## Truck features:

- BT Powertrak traction system
- Optimised Truck Performance
- Fingertip controls
- Electronic braking system
- Electronic speed control
- Operator safety
- Storage compartments
- Automatic switch-off
- Programmable performance
- Easy access for maintenance
- Sensilift
- Toyota I\_site: truck fleet management system (option)
- Hydraulic oil for low temperatures (option)

