

TERMOBLOCK HEAT-SHRINKABLE TUBING

*flame-retardant Polyolefin
shrinkage ratio 2÷1*

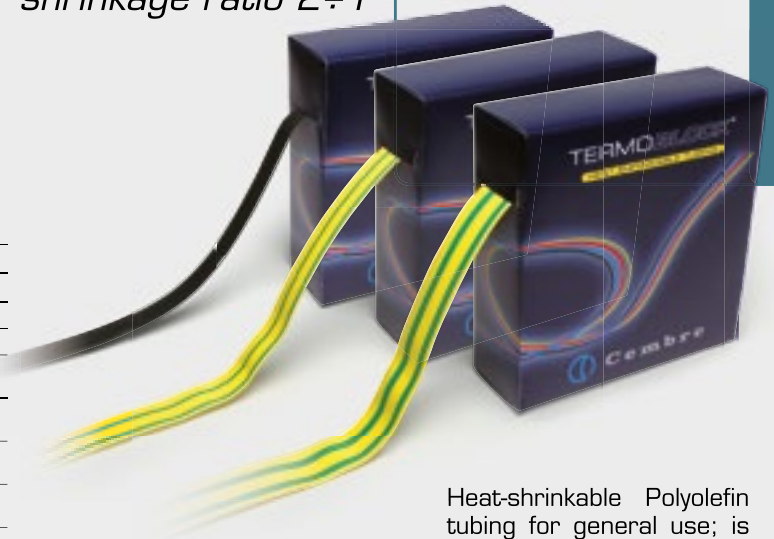
TBS

General characteristics:

- **Operating temperature:** -55°C + 125°C
- **Minimum shrinkage temperature:** 70°C
- **Temperature for complete shrinkage:** 110°C
- **RoHS compliant**
- **Colours:** Black, Red, Blue, Yellow/Green.
- **Packaging:** Roll in Dispenser Box

Technical Specifications:

Property	Test Method	Performance
Traction resistance (MPa):	ASRM D2671	≥10.4
Elongation at failure (%):	ASRM D2671	≥200
Traction resistance after heat aging (MPa):	UL 224 158°Cx168hr	≥7.3
Elongation at failure after heat aging (%):	UL 224 158°Cx168hr	≥100
Heat resistance:	UL 224 250°Cx4hr	No failure
Low temperature flexibility:	UL 224 -30°Cx4hr	No failure
Dielectric strength (kv/mm):	IEC 243	≥15
Insulation resistance:	600V UL 224	No perforation at 2500V
Volume resistance (Ω.cm):	IEC 93	≥1x10 ¹⁴
Corrosive action:	UL 224 158°Cx168hr	Not corrosive
Copper compatibility:	UL 224 158°Cx168hr	Not corrosive
Flammability:	UL 224	VW-1



Heat-shrinkable Polyolefin tubing for general use; is environmentally neutral, flexible, not inflammable and offers fast heat shrinkage and stable performance.

Main uses include insulation and protection of electrical conductors, connectors and terminations; protection of metal tubes from corrosion; protection of antennae and various identification applications.

Ref.	Colour		Internal Ø before shrinking	Internal Ø after shrinking	Reel Length
TBS16x20BK	BLACK	●	1,6 mm	0,8 mm	20 m
TBS24x20BK	BLACK	●	2,4 mm	1,2 mm	20 m
TBS32x10BK	BLACK	●	3,2 mm	1,6 mm	10 m
TBS48x10BK	BLACK	●	4,8 mm	2,4 mm	10 m
TBS64x10BK	BLACK	●	6,4 mm	3,2 mm	10 m
TBS95x10BK	BLACK	●	9,5 mm	4,8 mm	10 m
TBS127x10BK	BLACK	●	12,7 mm	6,4 mm	10 m
TBS190x5BK	BLACK	●	19 mm	9,5 mm	5 m
TBS254x5BK	BLACK	●	25,4 mm	12,7 mm	5 m
TBS16x20RE	RED	●	1,6 mm	0,8 mm	20 m
TBS24x20RE	RED	●	2,4 mm	1,2 mm	20 m
TBS32x10RE	RED	●	3,2 mm	1,6 mm	10 m
TBS48x10RE	RED	●	4,8 mm	2,4 mm	10 m
TBS64x10RE	RED	●	6,4 mm	3,2 mm	10 m
TBS95x10RE	RED	●	9,5 mm	4,8 mm	10 m
TBS127x10RE	RED	●	12,7 mm	6,4 mm	10 m
TBS190x5RE	RED	●	19,0 mm	9,5 mm	5 m
TBS254x5RE	RED	●	25,4 mm	12,7 mm	5 m
TBS16x20BU	BLUE	●	1,6 mm	0,8 mm	20 m
TBS24x20BU	BLUE	●	2,4 mm	1,2 mm	20 m
TBS32x10BU	BLUE	●	3,2 mm	1,6 mm	10 m
TBS48x10BU	BLUE	●	4,8 mm	2,4 mm	10 m
TBS64x10BU	BLUE	●	6,4 mm	3,2 mm	10 m
TBS95x10BU	BLUE	●	9,5 mm	4,8 mm	10 m
TBS127x10BU	BLUE	●	12,7 mm	6,4 mm	10 m
TBS190x5BU	BLUE	●	19,0 mm	9,5 mm	5 m
TBS254x5BU	BLUE	●	25,4 mm	12,7 mm	5 m
TBS16x20Y/G	YELLOW/GREEN	●	1,6 mm	0,8 mm	20 m
TBS24x20Y/G	YELLOW/GREEN	●	2,4 mm	1,2 mm	20 m
TBS32x10Y/G	YELLOW/GREEN	●	3,2 mm	1,6 mm	10 m
TBS48x10Y/G	YELLOW/GREEN	●	4,8 mm	2,4 mm	10 m
TBS64x10Y/G	YELLOW/GREEN	●	6,4 mm	3,2 mm	10 m
TBS95x10Y/G	YELLOW/GREEN	●	9,5 mm	4,8 mm	10 m
TBS127x10Y/G	YELLOW/GREEN	●	12,7 mm	6,4 mm	10 m
TBS190x5Y/G	YELLOW/GREEN	●	19 mm	9,5 mm	5 m
TBS254x5Y/G	YELLOW/GREEN	●	25,4 mm	12,7 mm	5 m



TSS

TERMOSTRIP HEAT-SHRINKABLE TUBING

flame-retardant Polyolefin
shrinkage ratio 2÷1

Heat-shrinkable Polyolefin tubing strip for general use; is environmentally neutral, flexible, not inflammable and offers fast heat shrinkage and stable performance.

Main uses include insulation and protection of electrical conductors, connectors and terminations; protection of metal tubes from corrosion; protection of antennae and various identification applications.

For general characteristics and technical specifications see page 185.

- **Colours:** Black, Red, White, Blue, Transparent, Yellow, Green, Grey, Brown, Yellow/Green.
- **Packaging:** Strips in Box

Ref.	Colour		Internal Ø before shrinking	Internal Ø after shrinking	Strip Length	Quantity Strips per box
TSS24BK	BLACK	●	2.4 mm	1.2 mm	1,22 m	30
TSS32BK	BLACK	●	3.2 mm	1.6 mm	1,22 m	30
TSS48BK	BLACK	●	4.8 mm	2.4 mm	1,22 m	30
TSS64BK	BLACK	●	6.4 mm	3.2 mm	1,22 m	30
TSS95BK	BLACK	●	9.5 mm	4.8 mm	1,22 m	20
TSS127BK	BLACK	●	12.7 mm	6.4 mm	1,22 m	15
TSS190BK	BLACK	●	19 mm	9.5 mm	1,22 m	10
TSS254BK	BLACK	●	25.4 mm	12.7 mm	1,22 m	6
TSS380BK	BLACK	●	38 mm	19 mm	1,22 m	4
TSS510BK	BLACK	●	51 mm	25.4 mm	1,22 m	2
TSS24RE	RED	●	2.4 mm	1.2 mm	1,22 m	30
TSS32RE	RED	●	3.2 mm	1.6 mm	1,22 m	30
TSS48RE	RED	●	4.8 mm	2.4 mm	1,22 m	30
TSS64RE	RED	●	6.4 mm	3.2 mm	1,22 m	30
TSS95RE	RED	●	9.5 mm	4.8 mm	1,22 m	20
TSS127RE	RED	●	12.7 mm	6.4 mm	1,22 m	15
TSS190RE	RED	●	19 mm	9.5 mm	1,22 m	10
TSS254RE	RED	●	25.4 mm	12.7 mm	1,22 m	6
TSS380RE	RED	●	38 mm	19 mm	1,22 m	4
TSS510RE	RED	●	51 mm	25.4 mm	1,22 m	2
TSS24WH	WHITE	○	2.4 mm	1.2 mm	1,22 m	30
TSS32WH	WHITE	○	3.2 mm	1.6 mm	1,22 m	30
TSS48WH	WHITE	○	4.8 mm	2.4 mm	1,22 m	30
TSS64WH	WHITE	○	6.4 mm	3.2 mm	1,22 m	30
TSS95WH	WHITE	○	9.5 mm	4.8 mm	1,22 m	20
TSS127WH	WHITE	○	12.7 mm	6.4 mm	1,22 m	15
TSS190WH	WHITE	○	19 mm	9.5 mm	1,22 m	10
TSS254WH	WHITE	○	25.4 mm	12.7 mm	1,22 m	6
TSS380WH	WHITE	○	38 mm	19 mm	1,22 m	4
TSS510WH	WHITE	○	51 mm	25.4 mm	1,22 m	2
TSS24BU	BLUE	●	2.4 mm	1.2 mm	1,22 m	30
TSS32BU	BLUE	●	3.2 mm	1.6 mm	1,22 m	30
TSS48BU	BLUE	●	4.8 mm	2.4 mm	1,22 m	30
TSS64BU	BLUE	●	6.4 mm	3.2 mm	1,22 m	30
TSS95BU	BLUE	●	9.5 mm	4.8 mm	1,22 m	20
TSS127BU	BLUE	●	12.7 mm	6.4 mm	1,22 m	15
TSS190BU	BLUE	●	19 mm	9.5 mm	1,22 m	10
TSS254BU	BLUE	●	25.4 mm	12.7 mm	1,22 m	6
TSS380BU	BLUE	●	38 mm	19 mm	1,22 m	4
TSS510BU	BLUE	●	51 mm	25.4 mm	1,22 m	2
TSS24TR	TRANSPARENT	○	2.4 mm	1.2 mm	1,22 m	30
TSS32TR	TRANSPARENT	○	3.2 mm	1.6 mm	1,22 m	30
TSS48TR	TRANSPARENT	○	4.8 mm	2.4 mm	1,22 m	30
TSS64TR	TRANSPARENT	○	6.4 mm	3.2 mm	1,22 m	30
TSS95TR	TRANSPARENT	○	9.5 mm	4.8 mm	1,22 m	20
TSS127TR	TRANSPARENT	○	12.7 mm	6.4 mm	1,22 m	15
TSS190TR	TRANSPARENT	○	19 mm	9.5 mm	1,22 m	10
TSS254TR	TRANSPARENT	○	25.4 mm	12.7 mm	1,22 m	6
TSS380TR	TRANSPARENT	○	38 mm	19 mm	1,22 m	4
TSS510TR	TRANSPARENT	○	51 mm	25.4 mm	1,22 m	2

TERMOSTRIP HEAT-SHRINKABLE TUBING

*flame-retardant Polyolefin
shrinkage ratio 2÷1*

TSS

Ref.	Colour		Internal Ø before shrinking	Internal Ø after shrinking	Strip Length	Quantity Strips per box
TSS24YE	YELLOW	●	2.4 mm	1.2 mm	1,22 m	30
TSS32YE	YELLOW	●	3.2 mm	1.6 mm	1,22 m	30
TSS48YE	YELLOW	●	4.8 mm	2.4 mm	1,22 m	30
TSS64YE	YELLOW	●	6.4 mm	3.2 mm	1,22 m	30
TSS95YE	YELLOW	●	9.5 mm	4.8 mm	1,22 m	20
TSS127YE	YELLOW	●	12.7 mm	6.4 mm	1,22 m	15
TSS190YE	YELLOW	●	19 mm	9.5 mm	1,22 m	10
TSS254YE	YELLOW	●	25.4 mm	12.7 mm	1,22 m	6
TSS380YE	YELLOW	●	38 mm	19 mm	1,22 m	4
TSS510YE	YELLOW	●	51 mm	25.4 mm	1,22 m	2
<hr/>						
TSS24GN	GREEN	●	2.4 mm	1.2 mm	1,22 m	30
TSS32GN	GREEN	●	3.2 mm	1.6 mm	1,22 m	30
TSS48GN	GREEN	●	4.8 mm	2.4 mm	1,22 m	30
TSS64GN	GREEN	●	6.4 mm	3.2 mm	1,22 m	30
TSS95GN	GREEN	●	9.5 mm	4.8 mm	1,22 m	20
TSS127GN	GREEN	●	12.7 mm	6.4 mm	1,22 m	15
TSS190GN	GREEN	●	19 mm	9.5 mm	1,22 m	10
TSS254GN	GREEN	●	25.4 mm	12.7 mm	1,22 m	6
TSS380GN	GREEN	●	38 mm	19 mm	1,22 m	4
TSS510GN	GREEN	●	51 mm	25.4 mm	1,22 m	2
<hr/>						
TSS24GY	GREY	●	2.4 mm	1.2 mm	1,22 m	30
TSS32GY	GREY	●	3.2 mm	1.6 mm	1,22 m	30
TSS48GY	GREY	●	4.8 mm	2.4 mm	1,22 m	30
TSS64GY	GREY	●	6.4 mm	3.2 mm	1,22 m	30
TSS95GY	GREY	●	9.5 mm	4.8 mm	1,22 m	20
TSS127GY	GREY	●	12.7 mm	6.4 mm	1,22 m	15
TSS190GY	GREY	●	19 mm	9.5 mm	1,22 m	10
TSS254GY	GREY	●	25.4 mm	12.7 mm	1,22 m	6
TSS380GY	GREY	●	38 mm	19 mm	1,22 m	4
TSS510GY	GREY	●	51 mm	25.4 mm	1,22 m	2
<hr/>						
TSS24BR	BROWN	●	2.4 mm	1.2 mm	1,22 m	30
TSS32BR	BROWN	●	3.2 mm	1.6 mm	1,22 m	30
TSS48BR	BROWN	●	4.8 mm	2.4 mm	1,22 m	30
TSS64BR	BROWN	●	6.4 mm	3.2 mm	1,22 m	30
TSS95BR	BROWN	●	9.5 mm	4.8 mm	1,22 m	20
TSS127BR	BROWN	●	12.7 mm	6.4 mm	1,22 m	15
TSS190BR	BROWN	●	19 mm	9.5 mm	1,22 m	10
TSS254BR	BROWN	●	25.4 mm	12.7 mm	1,22 m	6
TSS380BR	BROWN	●	38 mm	19 mm	1,22 m	4
TSS510BR	BROWN	●	51 mm	25.4 mm	1,22 m	2
<hr/>						
TSS32Y/G	YELLOW/GREEN	●	3.2 mm	1.6 mm	1,22 m	30
TSS48Y/G	YELLOW/GREEN	●	4.8 mm	2.4 mm	1,22 m	30
TSS64Y/G	YELLOW/GREEN	●	6.4 mm	3.2 mm	1,22 m	30
TSS95Y/G	YELLOW/GREEN	●	9.5 mm	4.8 mm	1,22 m	20
TSS127Y/G	YELLOW/GREEN	●	12.7 mm	6.4 mm	1,22 m	15
TSS190Y/G	YELLOW/GREEN	●	19 mm	9.5 mm	1,22 m	10
TSS254Y/G	YELLOW/GREEN	●	25.4 mm	12.7 mm	1,22 m	6
TSS380Y/G	YELLOW/GREEN	●	38 mm	19 mm	1,22 m	4

TERMOCOIL HEAT-SHRINKABLE TUBING

TCS

flame-retardant Polyolefin
shrinkage ratio 2÷1



Heat-shrinkable Polyolefin tubing coil for general use; is environmentally neutral, flexible, not inflammable and offers fast heat shrinkage and stable performance.

Main uses include insulation and protection of electrical conductors, connectors and terminations; protection of metal tubes from corrosion; protection of antennae and various identification applications.

For general characteristics and technical specifications see page 185.

- **Colours:** Black, Red, White, Blue, Transparent, Yellow, Green, Yellow/Green.
- **Packaging:** Coil on Reel

Ref.	Colour		Internal Ø before shrinking	Internal Ø after shrinking	Coil Length
TCS12X200BK	BLACK	●	1,2 mm	0,6 mm	200 m
TCS16X200BK	BLACK	●	1,6 mm	0,8 mm	200 m
TCS24X200BK	BLACK	●	2,4 mm	1,2 mm	200 m
TCS32X200BK	BLACK	●	3,2 mm	1,6 mm	200 m
TCS48X100BK	BLACK	●	4,8 mm	2,4 mm	100 m
TCS64X100BK	BLACK	●	6,4 mm	3,2 mm	100 m
TCS95X100BK	BLACK	●	9,5 mm	4,8 mm	100 m
TCS127X100BK	BLACK	●	12,7 mm	6,4 mm	100 m
TCS160X100BK	BLACK	●	16 mm	8,0 mm	100 m
TCS190X100BK	BLACK	●	19 mm	9,5 mm	100 m
TCS254X50BK	BLACK	●	25,4 mm	12,7 mm	50 m
TCS320X50BK	BLACK	●	32 mm	16,0 mm	50 m
TCS381X50BK	BLACK	●	38,1 mm	19,0 mm	50 m
TCS508X25BK	BLACK	●	50,8 mm	25,4 mm	25 m
TCS762X25BK	BLACK	●	76,2 mm	38,1 mm	25 m
TCS1016X25BK	BLACK	●	101,6 mm	50,8 mm	25 m
TCS1260X25BK	BLACK	●	126 mm	63,0 mm	25 m
TCS1500X25BK	BLACK	●	150 mm	75,0 mm	25 m
TCS16X200RE	RED	●	1,6 mm	0,8 mm	200 m
TCS24X200RE	RED	●	2,4 mm	1,2 mm	200 m
TCS32X200RE	RED	●	3,2 mm	1,6 mm	200 m
TCS48X100RE	RED	●	4,8 mm	2,4 mm	100 m
TCS64X100RE	RED	●	6,4 mm	3,2 mm	100 m
TCS95X100RE	RED	●	9,5 mm	4,8 mm	100 m
TCS127X100RE	RED	●	12,7 mm	6,4 mm	100 m
TCS190X100RE	RED	●	19 mm	9,5 mm	100 m
TCS254X50RE	RED	●	25,4 mm	12,7 mm	50 m
TCS16X200WH	WHITE	○	1,6 mm	0,8 mm	200 m
TCS24X200WH	WHITE	○	2,4 mm	1,2 mm	200 m
TCS32X200WH	WHITE	○	3,2 mm	1,6 mm	200 m
TCS48X100WH	WHITE	○	4,8 mm	2,4 mm	100 m
TCS64X100WH	WHITE	○	6,4 mm	3,2 mm	100 m
TCS95X100WH	WHITE	○	9,5 mm	4,8 mm	100 m
TCS127X100WH	WHITE	○	12,7 mm	6,4 mm	100 m
TCS190X100WH	WHITE	○	19 mm	9,5 mm	100 m
TCS254X50WH	WHITE	○	25,4 mm	12,7 mm	50 m
TCS16X200BU	BLUE	●	1,6 mm	0,8 mm	200 m
TCS24X200BU	BLUE	●	2,4 mm	1,2 mm	200 m
TCS32X200BU	BLUE	●	3,2 mm	1,6 mm	200 m
TCS48X100BU	BLUE	●	4,8 mm	2,4 mm	100 m
TCS64X100BU	BLUE	●	6,4 mm	3,2 mm	100 m
TCS95X100BU	BLUE	●	9,5 mm	4,8 mm	100 m
TCS127X100BU	BLUE	●	12,7 mm	6,4 mm	100 m
TCS190X100BU	BLUE	●	19 mm	9,5 mm	100 m
TCS254X50BU	BLUE	●	25,4 mm	12,7 mm	50 m

TERMOCOIL HEAT-SHRINKABLE TUBING

*flame-retardant Polyolefin
shrinkage ratio 2÷1*

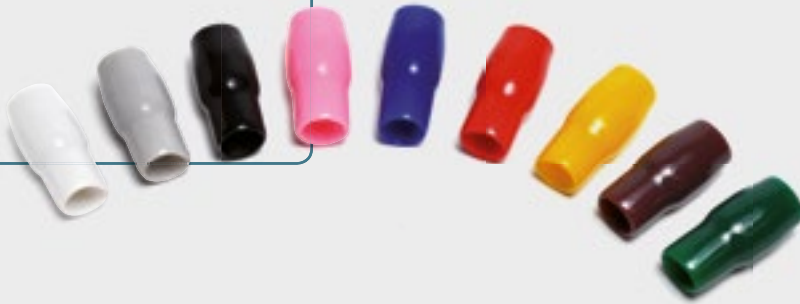
TCS

Ref.	Colour		Internal Ø before shrinking	Internal Ø after shrinking	Coil Length
TCS16X200YE	YELLOW	●	1,6 mm	0,8 mm	200 m
TCS24X200YE	YELLOW	●	2,4 mm	1,2 mm	200 m
TCS32X200YE	YELLOW	●	3,2 mm	1,6 mm	200 m
TCS48X100YE	YELLOW	●	4,8 mm	2,4 mm	100 m
TCS64X100YE	YELLOW	●	6,4 mm	3,2 mm	100 m
TCS95X100YE	YELLOW	●	9,5 mm	4,8 mm	100 m
TCS127X100YE	YELLOW	●	12,7 mm	6,4 mm	100 m
TCS190X100YE	YELLOW	●	19 mm	9,5 mm	100 m
TCS254X50YE	YELLOW	●	25,4 mm	12,7 mm	50 m
TCS16X200GN	GREEN	●	1,6 mm	0,8 mm	200 m
TCS24X200GN	GREEN	●	2,4 mm	1,2 mm	200 m
TCS32X200GN	GREEN	●	3,2 mm	1,6 mm	200 m
TCS48X100GN	GREEN	●	4,8 mm	2,4 mm	100 m
TCS64X100GN	GREEN	●	6,4 mm	3,2 mm	100 m
TCS95X100GN	GREEN	●	9,5 mm	4,8 mm	100 m
TCS127X100GN	GREEN	●	12,7 mm	6,4 mm	100 m
TCS190X100GN	GREEN	●	19 mm	9,5 mm	100 m
TCS254X50GN	GREEN	●	25,4 mm	12,7 mm	50 m
TCS32X200Y/G	YELLOW / GREEN	●	3,2 mm	1,6 mm	200 m
TCS48X100Y/G	YELLOW / GREEN	●	4,8 mm	2,4 mm	100 m
TCS64X100Y/G	YELLOW / GREEN	●	6,4 mm	3,2 mm	100 m
TCS95X100Y/G	YELLOW / GREEN	●	9,5 mm	4,8 mm	100 m
TCS127X100Y/G	YELLOW / GREEN	●	12,7 mm	6,4 mm	100 m
TCS190X100Y/G	YELLOW / GREEN	●	19 mm	9,5 mm	100 m
TCS254X50Y/G	YELLOW / GREEN	●	25,4 mm	12,7 mm	50 m
TCS381X50Y/G	YELLOW / GREEN	●	38,1 mm	19,0 mm	50 m
TCS508X25Y/G	YELLOW / GREEN	●	50,8 mm	25,4 mm	25 m

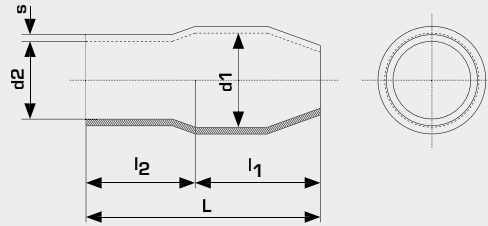
ES

INSULATED COVERS

For uninsulated connectors



Insulated covers in PVC for general use with Cembre A-M copper tube lugs characterised by environmental tolerance, flexibility, not inflammability & stable performance. Widely used for the insulation and protection of connections and electrical terminations.



General features:

- **Material:** PVC
- **Self extinguishing (UL94):** VO
- **Working temperature:** 85 °C
- **Colours:** red, yellow, blue, green, black, grey, white, brown, pink.

Ref.	Connectors A-M*	d1 Ø	d2 Ø	l ₁ ±1	l ₂ ±1	L ± 2	s ± 0.2	Quantity	Minimum Order Qty
ES03..	A03	3.3	3.1	7.0	8.0	15.0	0.6	100	3.000
ES06..	A06	4.5	3.7	8.0	8.0	16.0	0.7	100	
ES1..	A1	5.7	4.1	9.0	9.0	18.0	0.8	100	
ES2..	A2	7.2	6.2	11.0	10.0	21.0	1.0	100	1.000
ES3..	A3	10.0	8.0	15.0	13.0	28.0	1.1	100	
ES5..	A5	12.0	9.5	15.0	14.0	29.0	1.2	100	
ES10..	A7, A9, A10	14.0	11.8	17.0	17.0	34.0	1.4	100	500
ES14..	A12, A14	17.0	13.9	22.0	20.0	42.0	1.5	100	
ES19..	A17, A19	19.0	16.0	25.0	21.0	46.0	1.5	50	
ES24..	A20, A24	22.0	18.0	31.0	24.0	55.0	1.7	50	200
ES30..	A29, A30	24.0	20.0	32.0	28.0	60.0	1.8	50	
ES37..	A35, A37	26.0	22.0	34.0	31.0	65.0	1.8	50	
ES40..	A40, A48**	32.2	24.0	38.0	31.0	69.0	2.0	50	100
ES48..	A48**	36.5	27.2	42.0	33.0	75.0	2.0	50	
ES80..	A60, A80	36.7	30.0	42.0	33.0	75.0	2.0	25	

Dimensions are in mm

Add the suffix corresponding to the selected colour to the reference:

-BU blue, **-GY** grey, **-BR** brown, **-BK** black, **-WH** white, **-RE** red, **-GN** green, **-YE** yellow, **-PK** pink

* See A-M type copper tube lugs on pages 24-25, 34

** Depending on the diameter of the insulated cable

CAST RESIN JOINTS

cast resin, low voltage through joints

N

SHELLS

Manufactured from transparent synthetic material which allows a visual check of the connections before and after casting.

The halves of the shell are joined by snap closures which avoid further fixing or sealing.

Shells are left on after casting to provide additional protection against mechanical abrasion, chemical agents and severe weather conditions.

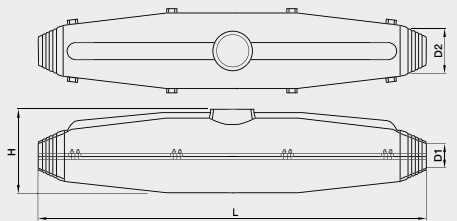


STRAIGHT JOINTS

Type	Dimensions mm				Cable Diameter mm	Indicative Cable Section ⁽²⁾ mm ²
	L	H	D1 ⁽¹⁾	D2 ⁽¹⁾		
N11	200	50	8	26	8 - 25	4C x 1,5 ÷ 10
N12	260	67	16	32	16 - 31	4C x 10 ÷ 25
N13	360	75	21	38	21 - 36	4C x 35 ÷ 50
N14	400	100	26	41	26 - 39	4C x 50 ÷ 70
N15	530	130	35	56	35 - 54	4C x 95 ÷ 150
N16	700	150	47	74	45 - 72	4C x 185 ÷ 300

⁽¹⁾ Internal dimension of the shell

⁽²⁾ Indicative cable sections are approximate and concern only harmonised, PVC or Rubber insulated cables at a working voltage of 0,6/1 kV

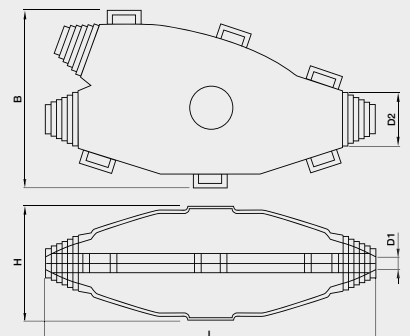


BRANCH JOINTS

Type	Dimensions mm					Cable Diameter mm	Indicative Cable Section ⁽²⁾ mm ²	
	L	H	B	D1 ⁽¹⁾	D2 ⁽¹⁾		Run	Tap
NY00	150	47	70	11	20	11 - 20	4C x 1,5 ÷ 2,5	4C x 1,5
NY0	175	60	94	6	22	6 - 21	4C x 4 ÷ 10	4C x 4
NY1	225	75	110	9	26	9 - 24	4C x 6 ÷ 25	4C x 16

⁽¹⁾ Internal dimension of the shell

⁽²⁾ Indicative cable sections are approximate and concern only harmonised, PVC or Rubber insulated cables at a working voltage of 0,6/1 kV



CAST RESIN JOINTS

cast resin, low voltage through joints

CAST RESIN TECHNOLOGY

PUR-cast resin technology was introduced to seal and protect power, signal and telephone cable joints.

This new generation of two component cast resin has been developed for the most demanding environments and circumstances.

Cembre cast resin joints meet the requirements of EN50393 and DIN VDE 57291-2 (VDE0291).

Quick setting properties in humid or even cold conditions make it a fast and reliable solution.

No external measuring or mixing is required as this takes place within an Aluminium foil pouch, avoiding spillage and errors during installation.

Unmixed resin components have a 48 month shelf-life even in the most difficult storage conditions.

Shells are made of durable PET resulting in good hydrophobic properties and excellent impact resistance, while good adhesion to PVC and metals assures a watertight seal.

Technical characteristic	Test result	Requirement of DIN VDE 0291
Pot life @		
5°C	35 min	
23°C	20 min	product conforms ± 30%
35°C	15 min	
Reactant open cup flash point	> 200 °C	> 55
Tensile strength	≥ 8.0 Mpa	≥ 5.0
Hot aging	- 5 Shore A	- 7
Adhesive	> 1500 CP. S	-
Elongation at break	≥ 100%	≥ 50%
Gel time for 300 ml @	23 °C	
Pouch >1000 ml	26 min	product conforms ± 10%
Pouch <1000 ml	17 min	product conforms ± 10%
Max. reaction temp.	60 °C / 333 K	product conforms ± 10%
Total vol. variability when hardening	6 %	max. 6.5 %
Cast resin component open cup flash point	> 200 °C	> 100
Density	1.07 g / cm ³	-
Impact strength	> 10 kJ / m ²	> 10 kJ / m ²
Hardness	75 Shore A	min. 20 Shore D
Expansion coefficient in temp. range 20-50°C	5.9 x 10 ⁻⁴ K ⁻¹	product conforms ± 15%
Thermal conductivity	0.2W x m ⁻¹ x K ⁻¹	product conforms ± 20%
Flammability	Class II c	acc. to DIN VDE 0304, part 3
Water absorption 42 days@50°C	360 mg	max. 400 mg
Electrolytic corrosion	A1	-
Voltage test @		no breakdown @ test voltage
23°C	> 20 kV	> 20 kV
80°C	> 10 kV	> 20 kV
Dielectric dissipation factor @		
23°C and 50 Hz	0.08	max. 0.1
23°C and 1k Hz	0.05	-
Relative permittivity		
@ 23°C and 50 Hz	5	< 6
@ 23°C and 1k Hz	5.1	-
Tracking resistance	KA 3c	min KA 3c
After 28 days of immersion in 90°C water		
Tensile strength	8.2N/mm ²	≥ 65% of initial value
Elongation at break	60%	≥ 65% of initial value
Hardness	47 Shore	≥ 80% of initial value