

Worm pump S 5

The universal worm pump

The universal worm pump for dry mix and wet mortar from a bag or silo. The S 5 is a modular system. At its heart is a powerful worm pump with a slide-on Cardan shaft for the quick replacement of the screw parts. It has a variable pump output. The TM version has an attached plate mixer for a high mix quality.

Suitable for base and insulating plaster, scraped and textured plaster, sprayed and structural plaster, trowel plaster, adhesive bridges, masonry mortar, fire-retardant mortar, sealing slurry, injection mortar, filling and anchor mortar, dispersion plaster, fibre mortar, glass-fibre-reinforced concrete, and cementitious adhesives, with an infinitely adjustable feed rate of between around 7 and 40 l/min depending on the material.

Part no. 111 635.000



Technical data	S 5 EV	S 5 EVTM – plate mixer
Model	Basic version	with plate mixer
Worm pump	2L6	2L6
Delivery rate*	7 - 40 l/min	7 - 40 l/min
Delivery pressure	25 bar	25 bar
Delivery range**	To 60 m	To 60 m
Delivery height**	To 40 m	To 40 m
Drive motor	5.5 kW, 400 V / 50 Hz	5.5 kW, 400 V / 50 Hz
Mixer drive	–	2.2 kW
Mixer volume	–	80 l
Hopper volume	100 l	100 l
Length	2,290 x 680 x 650 mm	2,505 x 680 x 1,150 mm
Weight	190 kg	400 kg
Maximum particle size	6 mm	6 mm
Pressure connection	M 50	M 50

* The delivery rate depends on the pump model. The delivery rate can vary in accordance with the pump used.

** The data is based on experience and is dependent on the materials used.



The S 5 EVTM has an attached plate mixer. It is used if materials need to be particularly intensively mixed.

The plate mixer has a capacity of 80 l and is driven by a 2.2 kW electric motor.

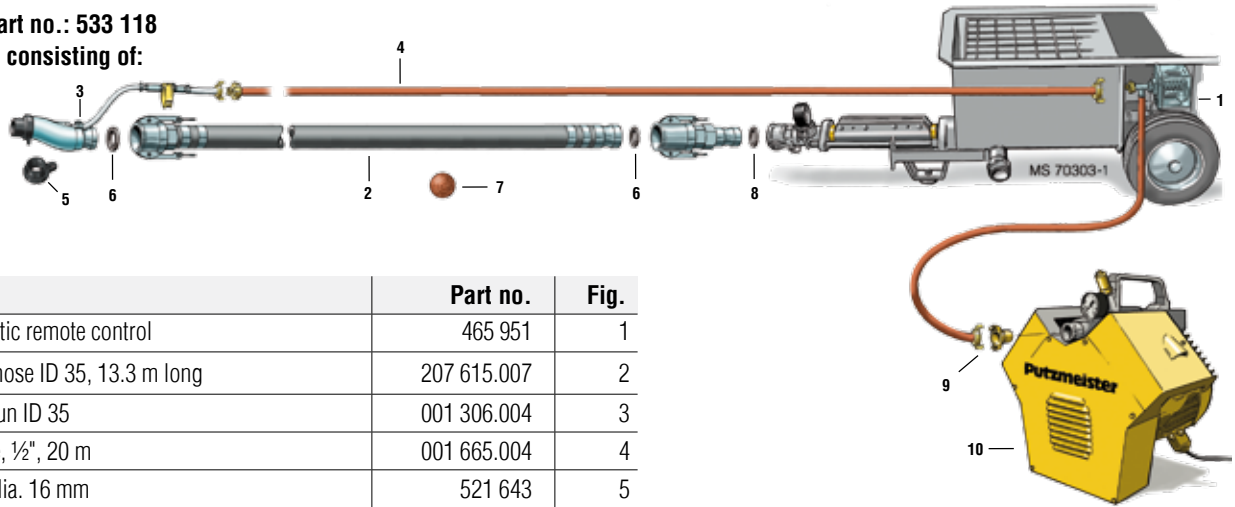
The central control cabinet is also a power distributor for attached devices such as a plate mixer or compressors.

Equipment	S 5 EV	S 5 EVTM – plate mixer
Standard colour paintwork	●	●
Cable remote control	●	●
Pneumatic remote control	○	○
Vibrating screen	○	–
Key:	– Not available	○ Option
		● Standard

Recommended accessories for the S 5

Accessories for processing site-made mixes

Entire set, part no.: 533 118
 ≈ 40 m long, consisting of:

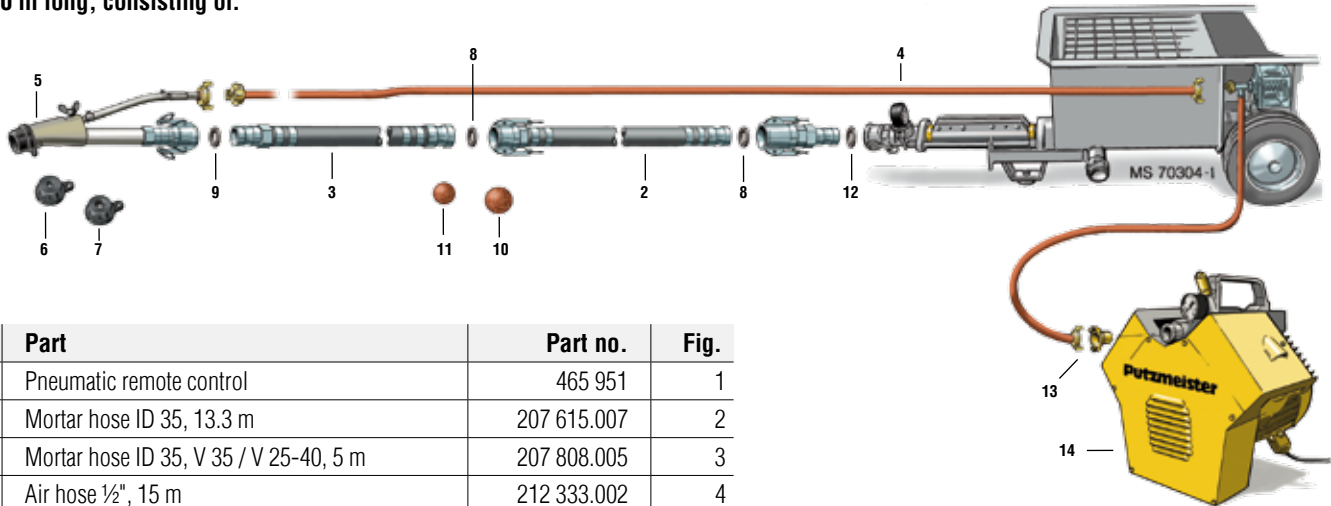


	Part	Part no.	Fig.
1x	Pneumatic remote control	465 951	1
3x	Mortar hose ID 35, 13.3 m long	207 615.007	2
1x	Spray gun ID 35	001 306.004	3
2x	Air hose ½", 20 m	001 665.004	4
1x	Nozzle dia. 16 mm	521 643	5
10x	Seal ID 35	213 725.004	6
10x	Sponge ball ID 35	065 044.001	7
10x	Seal ID 50	213 266.000	8
1x	Geka coupling, ¼"	207 969.009	9

	Part	Part no.	Fig.
1x	V-Meko compressor with fuse	400 168	10
3x	Hose holder, leather	000 206.008	

Accessories for processing premixed dry mortar (for cement plaster, fire-retardant plaster, and reinforcement plaster)

Entire set, part no.: 533 120
 ≈ 30 m long, consisting of:



	Part	Part no.	Fig.
1x	Pneumatic remote control	465 951	1
2x	Mortar hose ID 35, 13.3 m	207 615.007	2
1x	Mortar hose ID 35, V 35 / V 25-40, 5 m	207 808.005	3
2x	Air hose ½", 15 m	212 333.002	4
1x	Fine plaster spray gun ID 25	408 237	5
1x	Nozzle dia. 12 mm	521 641	6
1x	Nozzle dia. 14 mm	521 642	7
5x	Seal ID 35	213 725.004	8
3x	Seal ID 25	207 764.000	9
5x	Sponge ball ID 35	065 044.001	10
3x	Sponge ball ID 25	000 239.004	11
10x	Seal ID 50	213 266.000	12
1x	Geka coupling ¼"	207 969.009	13
1x	V-Meko compressor with fuse	400 168	14
3x	Hose holder, leather	000 206.008	

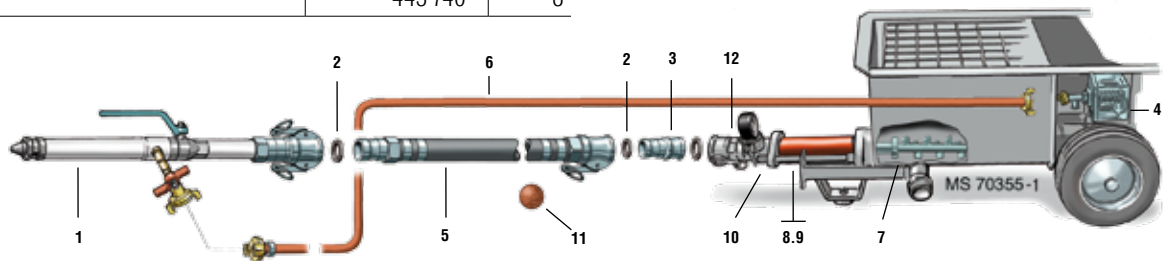
Accessories for processing fine plaster (granulation of < 4 mm)

Entire set, part no.: 533 119
≈ 20 m long, consisting of:

	Part	Part no.	Fig.
1x	Fine plaster spray gun ID 25	529 733	1
5x	Seal ID 25	207 764.000	2
1x	Tapering, V 35/V 25-40	207 795.008	3
1x	Pneumatic remote control	465 951	4
2x	Mortar hose ID 25, 10 m	207 804.009	5
1x	Air hose, 1/2", 20 m	001 665.004	6
1x	Cardan shaft D4	525 378	7
1x	D6 Power rotor	443 740	8

	Part	Part no.	Fig.
1x	D6 Power stator	206 345.006	9
2x	Tie rod	011 145.006	10
3x	Sponge ball ID 25	000 239.004	11
3x	Hose holder, leather	000 206.008	
1x	Pressure connection	202 189.004	12

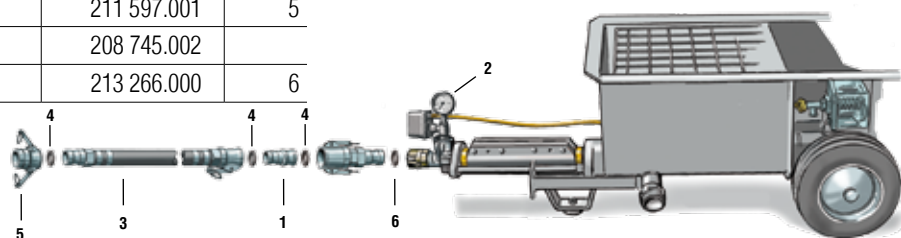
In addition, a compressor with an air volume of 400 - 500 l/min is required.



Accessories for filling anchors

Entire set, part no.: 533 121
≈ 20 m long, consisting of:

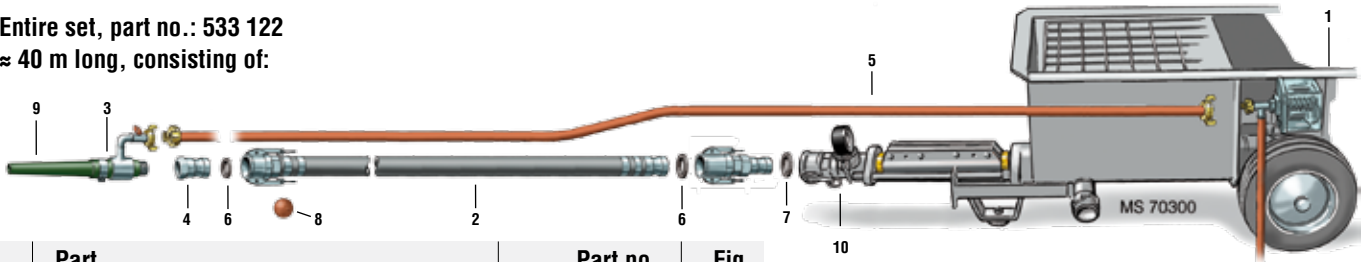
	Part	Part no.	Fig.
1x	Tapering, V 35 / V 25-40	207 795.008	1
1x	Pressure monitor, 2-32 bar	523 101	2
2x	Mortar hose, ID 25, V 25 / M 25, 10 m	207 804.009	3
5x	Seal ID 25	207 764.000	4
1x	PM coupling, M 25-40 / RI 1	211 597.001	5
1x	Test pressure gauge, ID 25-40	208 745.002	
10x	Seal ID 50	213 266.000	6



Recommended accessories for the S 5

Accessories for concrete restoration

Entire set, part no.: 533 122
 ≈ 40 m long, consisting of:

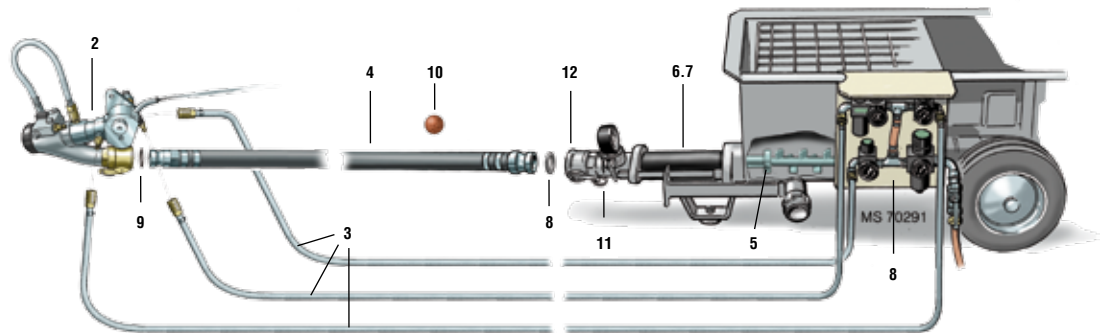


	Part	Part no.	Fig.
1x	Pneumatic remote control	465 951	1
3x	Mortar hose ID 35, 13.3 m	207 615.007	2
1x	Refurbishing spray gun	207 283.002	3
1x	Coupling V 35	203 135.002	4
2x	Air hose, 20 m	001 665.004	5
5x	Seal ID 35	213 725.004	6
10x	Seal ID 50	213 266.000	7
1x	Adapter, V 50/M 35	213 217.004	
5x	Sponge ball ID 35	065 044.001	8
1x	Nozzle, dia. 15 mm	207 286.009	9
3x	Hose holder, leather	000 206.008	
1x	Pressure connection	202 189.004	10

In addition, a compressor with an air volume of 1,500 l/min is required.

Accessories for spraying glass-fibre reinforced concrete

Entire set, part no.: 542 935
 ≈ 10 m long, consisting of:



	Part	Part no.	Fig.
1x	Fitting block	207 223.004	1
1x	GFB spray gun	070 436.002	2
1x	Hose connection cpl.	209 347.001	3
1x	Mortar hose ID 25, V 35 / V 25 - 40, 10 m	207 809.004	4
1x	Cardan shaft (spiral)	525 378	5
1x	Screw conveyor D 8-2	436 743	6
1x	Screw conveyor barrel D 8-2	436 746	7
3x	Seal ID 35	213 725.004	8
3x	Seal ID 25	207 764.000	9
3x	Sponge ball ID 25	000 239.004	10
2x	Tie rod	011 145.006	11
1x	Pressure connection	202 189.004	12

Modification of pump type 2L6 of S 5 in line with other pump types:

Conversion of S 5 EV with screwed Cardan shaft to D4, D4½, D4¼, D5 short, D6, D8-2+ with the following parts:

	Part	Part no.
1x	Cardan shaft (spiral) or Cardan shaft (paddle)	202 342.003 206 185.004
1x	Tie rod (l=325 mm, M 20)	011 145.006

Conversion of S 5 EV 2L6 to D5 with the following parts:

	Part	Part no.
1x	Cardan shaft (spiral) or Cardan shaft (paddle)	202 342.003 206 185.004
1x	D5 rotor	070 351.006
1x	D5 stator	070 352.005
1x	Clamp, cpl.	206 848.008
2x	Tie rod (l=410 mm, M 20)	467 156

Conversion of S 5 EV 2L6 to 1L6 with the following parts:

	Part	Part no.
1x	1L6 rotor	207 136.007
1x	1L6 stator	214 536.001
1x	Clamp, cpl.	422 747
2x	Tie rod (l=300 mm, M 20)	011 145.006

Conversion of S 5 EV with slide-on Cardan shaft (version from part no. 111 452.310, 111 452.330) to D4, D4½, D4¼, D5 short, D6, D8-2+ with the following parts:

	Part	Part no.
1x	Cardan shaft (spiral)	525 378
2x	Tie rod (l=300 mm, M 20)	011 145.006
1x	Pressure connection	202 189.004

Conversion of S 5 EV 2L6 to D5 with the following parts:

	Part	Part no.
1x	Cardan shaft (spiral)	525 378
1x	D5 rotor	070 351.006
1x	D5 stator	070 352.005
1x	Clamp, cpl.	206 848.008
2x	Tie rod (l=410 mm, M 20)	467 156
1x	Pressure connection	202 189.004

Conversion of S 5 EV 2L6 to 1L6 with the following parts:

	Part	Part no.
1x	1L6 rotor	207 136.007
1x	1L6 stator	214 536.001
1x	Clamp, cpl.	422 747
2x	Tie rod (l=300 mm, M 20)	011 145.006

Conversion of S 5 EV 2L6 to 2L54 with the following parts:

	Part	Part no.
1x	Rotor 2L54	211 739.005
1x	Stator 2L54	523 235
1x	Cardan shaft (spiral)	455 703

For rotors and stators, see page 56 and onwards.

