

Sprayboy P 12

Mixing and pumping in a batch processing operation

The small mortar pump is ideal for cementitious adhesive, fire-retardant plaster, and so on. It mixes, pumps, and sprays out of a hopper. It's just the right machine for building conservationists, stucco plasterers, refurbishing companies, and painters.

Suitable for e.g. anti-drumming agents, levelling compounds, flame and fire-retardant mortar, sealing slurries, joint and frame sealing compounds, paints, adhesive emulsion, cementitious adhesive, renovation mortars, filling compounds, and mortars.

Part no. 111 469.060



Powerful electric motor

Large material hopper

Standard cable remote control

Two-stage motor speed transfer



Technical data	P 12
Pump	D5 short
Theor. delivery rate*	6 +12 l/min
Delivery pressure	25 bar
Delivery distance**	Up to 30 m horizontal, 15 m vertical
Power connection (CE connector)	400 V / 50 Hz + 60 Hz, 16 A, 5p, 6h
Pump drive	1.4 kW at 94 rpm / 1.8 kW at 188 rpm
Hopper volume	50 l
Weight	125 kg
Length x width x height	714 x 696 x 1,437 mm
Fill height	939 mm
Maximum particle size	4 mm
Discharge connection	M 35

* The delivery rate depends on the pump model. The delivery rate can vary in accordance with the pump used.

**The data is based on experience and is dependent on the materials used.



In the central control cabinet, the electrical system is easily accessible at all times – which makes maintenance work easier.



Discharge connection with pressure gauge for connection of the mortar hoses.



The large Sprayboy hopper, in which you mix the material before it is pumped.

Additional equipment	P 12
Standard colour paintwork	●
Cable remote control	●
Pneumatic remote control	○
Key:	– Not available ○ Option ● Standard

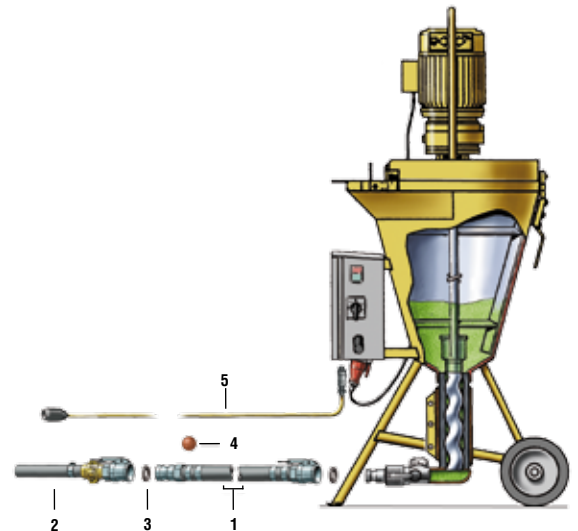
Suggested accessories for Sprayboy P 12

Accessories for filling frame connectors with fire-retardant plaster and a filling hose

Entire set, part no.: 533 080
 ≈ 20 m long, consisting of:

	Part	Part no.	Fig.
2x	Mortar hose ID 25, 10 m	207 804.009	1
1x	Frame connector filling hose, 30 cm, M25-40	408 373	2
3x	Seal ID 25	207 764.000	3
3x	Sponge ball ID 25	000 239.004	4
1x	Electric remote control with on/off switch, 20 m	269 446.007	5
3x	Hose holder, leather	000 206.008	

	Optional accessory		
1x	PM grout, 18 l storage tank, 25 pcs	266 743.004	

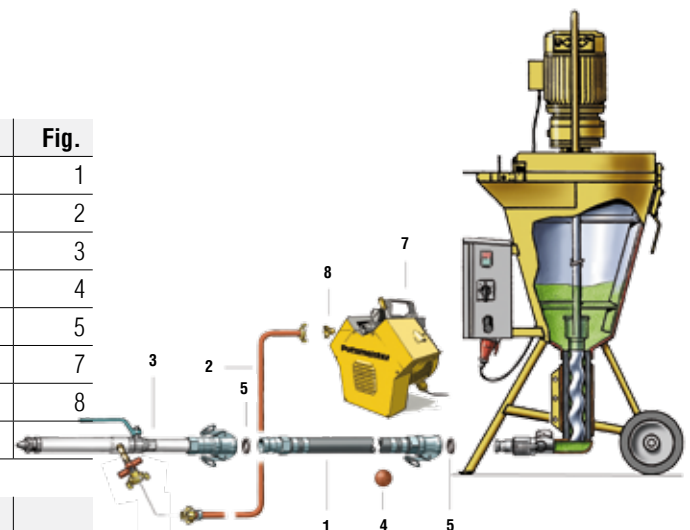


Accessories for processing finishing coats

Entire set, part no.: 533 083
 ≈ 20 m long, consisting of:

	Part	Part no.	Fig.
2x	Mortar hose ID 25, 10 m	207 804.009	1
1x	Air hose, 1/2", 20 m	001 665.004	2
1x	Fine plaster spray gun, large	529 733	3
3x	Sponge ball ID 25	000 239.004	4
3x	Seal ID 25	207 764.000	5
1x	V-Meko compressor with fuse	400 168	7
1x	Geka coupling, 1/4"	207 969.009	8
3x	Hose holder, leather	000 206.008	

	Optional accessory		
1x	PM grout, 18 l storage tank, 25 pcs	266 743.004	

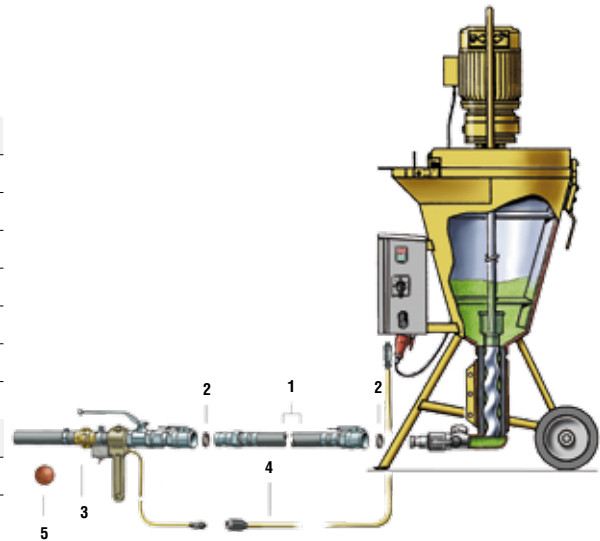


Accessories for filling frame connectors with fire-retardant plaster and a frame filling device

Entire set, part no.: 533 081
 ≈ 20 m long, consisting of:

	Part	Part no.	Fig.
1x	Mortar hose ID 25, 10 m	207 804.009	1
3x	Seal ID 25	207 764.000	2
1x	Frame connector filling device with remote control	214 236.000	3
1x	Remote control extension cable, 20 m	211 506.005	4
3x	Sponge ball ID 25	000 239.004	5
3x	Hose holder, leather	000 206.008	

	Optional accessory		
1x	PM grout, 18 l storage tank, 25 pcs	266 743.004	



Accessories for filling anchor elements

Entire set, part no.: 533 085
 ≈ 20 m long, consisting of:

	Part	Part no.	Fig.
1x	Tapering, V35 / V25-40	207 795.008	1
3x	Seal ID 25	207 764.000	2
1x	Pressure monitor, 2-32 bar	523 102	3
2x	Mortar hose, ID 25-40, 10 m	207 804.009	4
1x	PM coupling, M25-40 / RI 1'	211 597.001	5
1x	Test pressure gauge, ID 25-40	208 745.002	
3x	Sponge ball ID 25	000 239.004	6
3x	Hose holder, leather	000 206.008	

	Optional accessory		
1x	PM grout, 18 l storage tank, 25 pcs	266 743.004	

